

CHARACTERISTICS:

CONTACT ARRANGEMENT ----- 4 P.D.T.
 ACTUATION FORCE ----- 10 LBS. MAX.
 RELEASE FORCE ----- 1 LB. MIN.
 PRETRAVEL ----- .020-.030
 MOVEMENT DIFFERENTIAL ----- .020 MAX.
 OVERTRAVEL ----- .200 MIN.
 LIFE AT RATED LOAD ----- 25,000 CYCLES
 AMBIENT TEMPERATURE RANGE ----- -85°F TO +275°F
 DIELECTRIC STRENGTH ACROSS:
 OPEN TERMINALS ----- 800 VRMS
 TERMINALS TO CASE ----- 1000 VRMS
 VOLTAGE DROP AT 1 AMP ----- .040 PLUS .011
 PER FOOT OF LEAD
 SEAL ----- CLASS 5 (HERMETIC)
 MAX. ALLOWED LEAKAGE ----- PER MIL-S-8805
 BACKFILL ----- 1X10-8 STD CC HE/SEC.
 MAX. FORCE ALLOWED ON TOP OF ACTUATOR ----- DRY NITROGEN
 ----- 30 LBS.

CURRENT CAPACITY

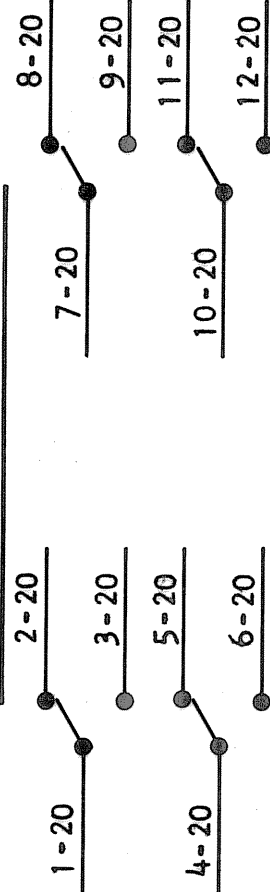
SEA LEVEL AND 70,000 FT. ALTITUDE	
LOAD	28 VOLTS D.C.
RESISTANCE	4 AMPS
INDUCTIVE	1 AMPS
LAMP	2 AMPS

SHOCK RESISTANCE
 WITHOUT CONTACT CHATTER ----- 200 G'S
 VIBRATION RESISTANCE (10-3000 HZ) -----
 WITHOUT CONTACT CHATTER ----- 65 G'S
 WEIGHT (INCLUDING HARDWARE) ----- 3.4 OZ. PLUS
 .10 OZ. PER LEAD
 PER FT. OF WIRE

MOUNTING HARDWARE STANDARD ON ALL SWITCHES

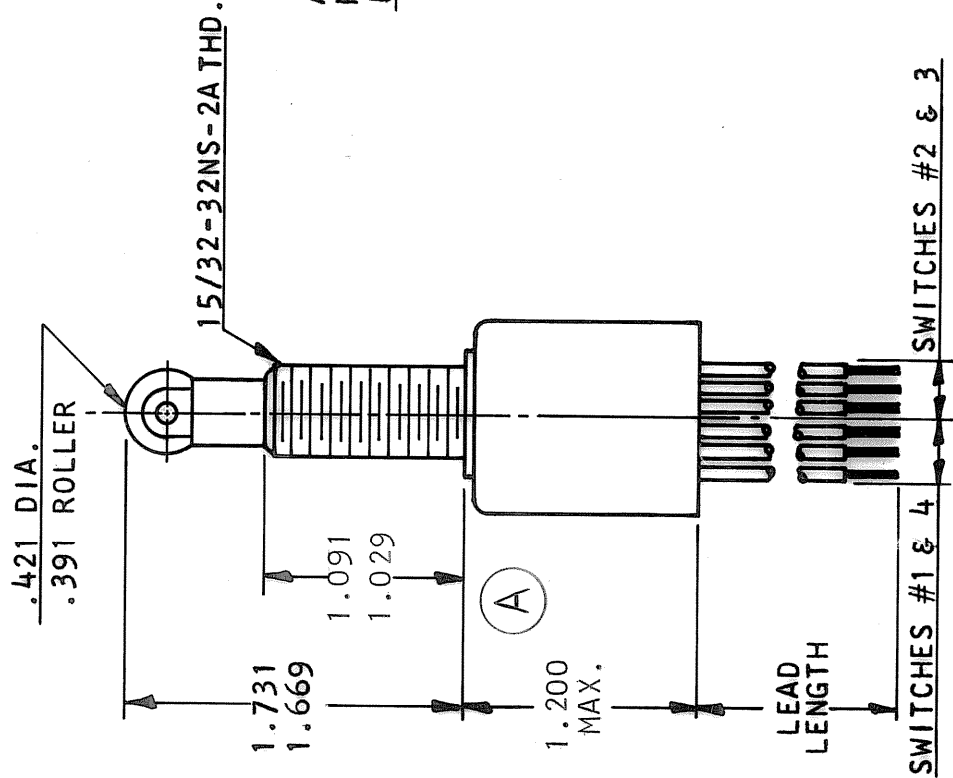
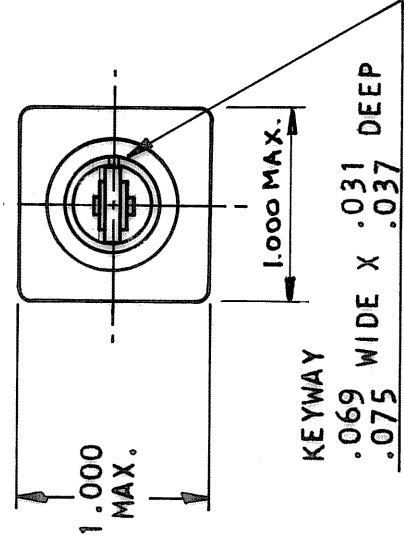
ITEM	REQ'D	DESCRIPTION
HEX NUT	(2)	MS21340-04
INTERNAL LOCKWASHER	(1)	MS35333-121
KEYWASHER	(1)	MS25081-C4

CIRCUIT DIAGRAM

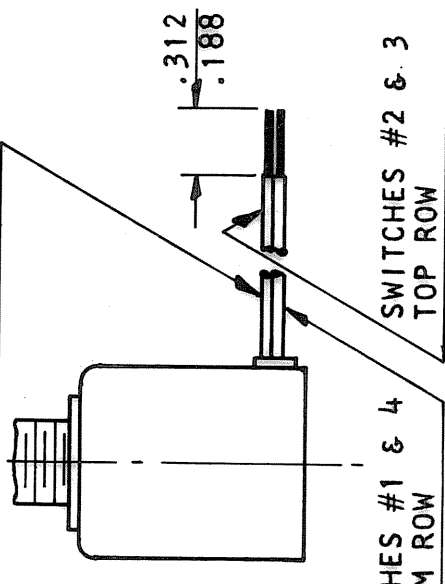


G. MIL-W-22759/9 WAS MIL-W-16818/5
 TYPE 60 CRMS5844
 RESISTIVE WAS 7AMPS MIL 9/A WAS M8805/70-30-32
 RJM

H. 7-16-91 1-17-96
 CF JF



AWG #20 WIRE LEADS PER MIL-W-22759/9 CODED EVERY 6 INCHES PER CIRCUIT DIAGRAM



ZONE	LTR	DESCRIPTION	DATE	APPROVED
-	-	1ST ISSUE FOR IOAT374 CR.51834	10-30-73	D.J.
-	A	SEE CN CR 52668	10-4-73	D.J.
-	B	ADDED MIL. PART NOS. CR52017	1-5-74	D.J.
-	C	SEE CN CR 55474	7-22-74	D.J.
-	D	PRETRAVEL WAS .030 MAX. CR.70847	8-31-76	D.J.
-	E	SEE DCN CR 94721	7-31-85	D.J.
-	F	SEE C.U. CR 96816	1-5-96	D.J.

10AT	374	-10	2
BASIC SWITCH	CONFIGURATION	7=3PDT 8=3PDT-N.C. 9=3PDT-N.O. 10=4PDT 11=4PST-N.C. 12=4PST-N.O.	2=LEADS PARALLEL TO AXIS OF SWITCH 3=LEADS AT RIGHT ANGLE TO AXIS OF SWITCH

10AT374
 -103-*

UNLESS OTHERWISE SPECIFIED DIMENSIONS ARE IN INCHES FRACTIONS DECIMALS ANGLES	DATE 8-30-73	BY D.M. INERNEY	DATE 9-1-73	BY D.J.
MILITARY EQUIVALENT PART NUMBERS UNDER MIL-S-8805	10AT374-102-10	10AT374-103-10	10AT374	10AT374
T.I. PART NO.	M8805/70-038	M8805/70-040	PLUNGER SWITCH ENVELOPE DRAWING	PLUNGER SWITCH ENVELOPE DRAWING
APPROVED	D. Latem	D. Latem	10AT374	10AT374
CODE IDENT NO.	B	82647	SCALE	SHEET