

**CHARACTERISTICS**

CONTACT ARRANGEMENT	S.P.S.T. OR S.P.D.T.
ACTUATION FORCE	30 OZ. MAX.
RELEASE FORCE	4 OZ. MIN.
PRETRAVEL	.010 MAX.
MOVEMENT DIFFERENTIAL	.005 MAX.
OVERTRAVEL	.125 MIN.
LIFE AT RATED LOAD	25,000 CYCLES
AMBIENT TEMPERATURE RANGE	-85°F TO +275°F
DIELECTRIC STRENGTH ACROSS:	
OPEN TERMINALS	800 VRMS (5 SEC.)
TERMINALS TO CASE	1000 VRMS (5 SEC.)
VOLTAGE DROP AT 1 AMP	.040 PLUS .021 PER FOOT OF LEAD
SEAL	CLASS 5 (HERMETIC) PER MIL-S-8805
MAX. ALLOWED LEAKAGE	1X10 <sup>-8</sup> STD. CC HE/SEC.
BACKFILL	DRY NITROGEN
MAX. FORCE ALLOWED ON TOP OF ACTUATOR	30 LBS.

**CURRENT CAPACITY**

SEA LEVEL AND 70,000 FT. ALTITUDE	
LOAD	28 VOLTS D.C.
RESISTIVE	4 AMPS
INDUCTIVE	1 AMP
LAMP	2 AMPS

**SHOCK RESISTANCE**

WITHOUT CONTACT CHATTER	200 G'S
VIBRATION RESISTANCE (55-2000 HZ)	
WITHOUT CONTACT CHATTER	65 G'S
WEIGHT (INCLUDING HARDWARE)	1.0 OZ. PLUS .10 OZ. PER LEAD PER FOOT OF WIRE

**MILITARY EQUIVALENT PART NUMBERS UNDER MIL-S-8805**

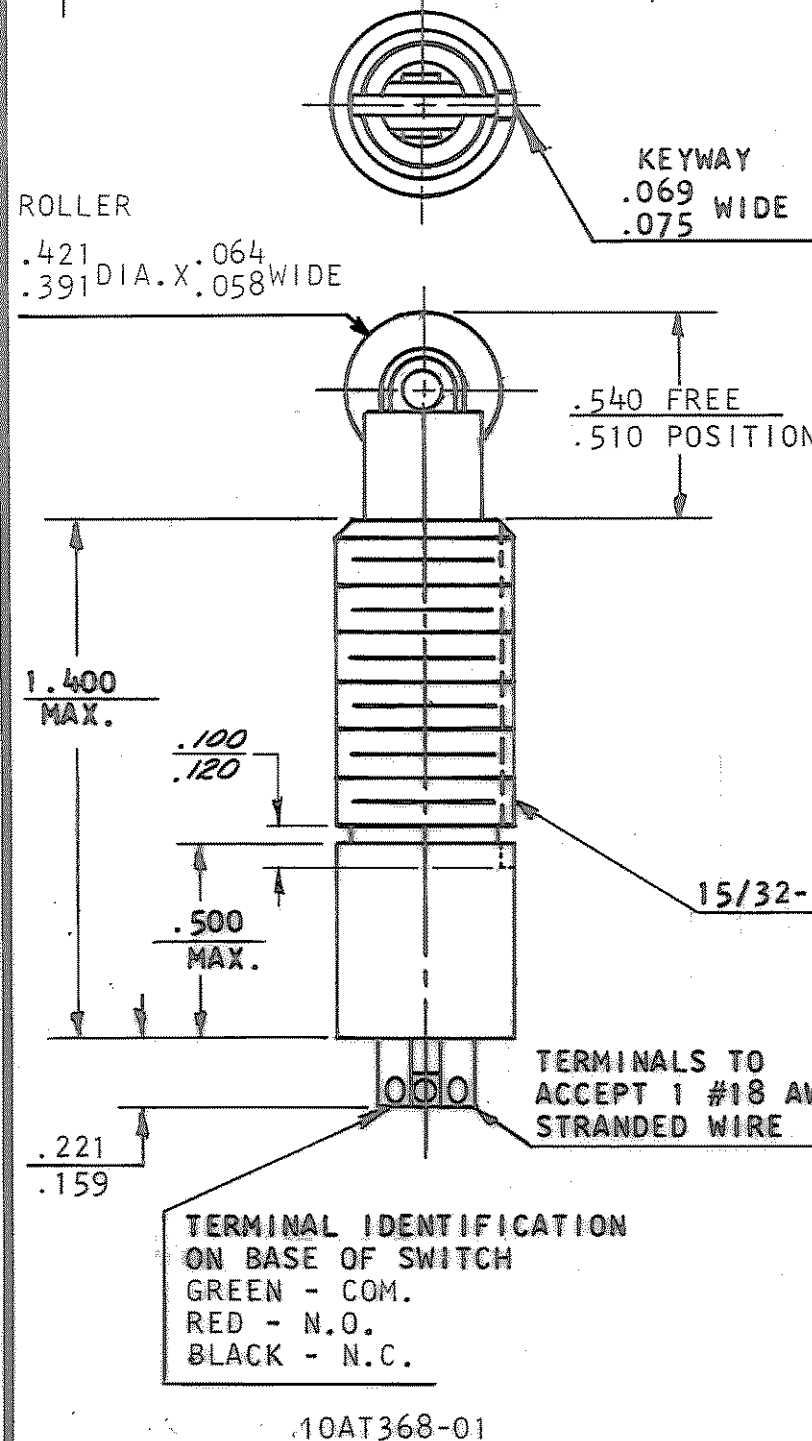
T.I. PART NO.	MILITARY PART NO.
10AT368-02-10	M8805/74-036
10AT368-03-10	M8805/74-038 (K)

**MOUNTING HARDWARE STANDARD ON ALL SWITCHES**

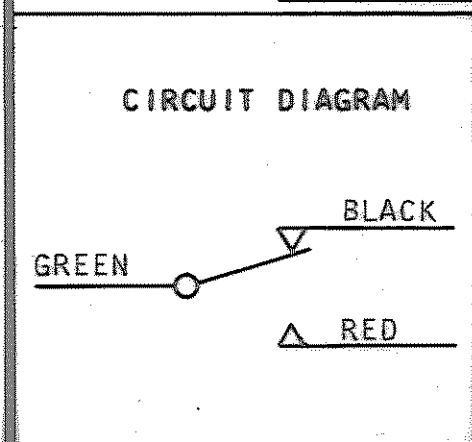
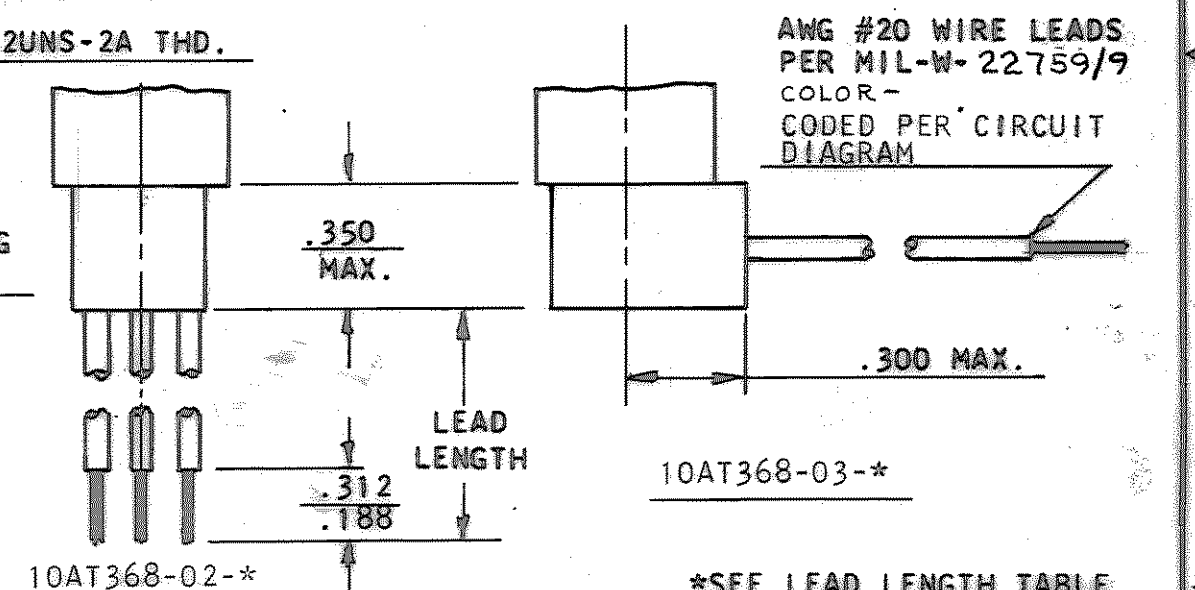
ITEM	REQ'D	DESCRIPTION
HEX NUT	2	MS21340-04
INTERNAL LOCKWASHER	1	MS35333-121
KEYWASHER	1	MS25081-C4

M RESISTIVE WAS 7AMPS MIL P/N WAS M8805/74-029,-026 CR M25154 RUM 1-17-76 JF

REVISIONS				
ZONE	LTR	DESCRIPTION	DATE	APPROVED
-	C	REDRAWN, ADDED ROLLER WIDTH DIM, CHANGED POSTING IN VIEW OF 10AT368-03-*	8-8-73	J. J.
-	D	ADDED MIL. PART NO'S CR52027 LS	1-17-74	J. J.
-	E	SEE C.N. CR 48587 RN	7-10-74	B.P.
-	F	SEE C.N. CR 55474 RN	7-12-74	D.P.
G		20LW#3 WAS: LEADS AT RIGHT ANGLES TO AXIS TO SWITCH CR 59450	2-19-76	CEB
H		LENGTHENED KEYWAY CR 78453	6-22-79	JS
J		SEE C.N. CR. 94797 N.A.	3-5-85	M.J.F.
K		SEE C.N. CR. 96816 #1	1-15-86	P.F.M.
L		MIL-W-22759/9 WAS MIL-W-16878 (TYPE EE) CR M05844 D.R.	7-15-91	CF



10AT	368	PART NO.	EXAMPLE
BASIC SWITCH	ENVELOPE DRAWING	-1	2 -1
		0 = SPDT	1 = NO LEADS
		1 = SPST-N.C.	2 = LEADS PARALLEL TO AXIS OF SWITCH
		2 = SPST-N.O.	3 = LEADS EXIT PERPENDICULAR TO SWITCH AXIS ON KEYWAY SIDE
			1 = 6" MIN.
			2 = 12"
			3 = 18"
			4 = 24"
			5 = 30"
			6 = 36"
			7 = 42"
			8 = 48"
			9 = 60"
			10 = 72"



UNLESS OTHERWISE SPECIFIED DIMENSIONS ARE IN INCHES	BY <i>Bette Chase</i>	DATE <i>8-8-73</i>	<b>TEXAS INSTRUMENTS</b> INCORPORATED ATTLEBORO, MASSACHUSETTS, U.S.A.	<b>KLIXON</b> CONTROL PRODUCTS DIVISION
TOLERANCE ON FRACTIONS DECIMALS ANGLES	CH.			
MATERIAL	ENG <i>David Tolson</i>	DATE <i>8-22-73</i>	TITLE ROLLER PLUNGER ACTUATED SWITCH ENVELOPE DRAWING	
	APPROVED <i>David Tolson</i>	DATE <i>8-22-73</i>	SIZE <b>B</b>	CODE IDENT NO. <b>82647 10AT368</b>
			SCALE 2:1	SHEET