

**CHARACTERISTICS:**

CONTACT ARRANGEMENT -----	S.P.S.T. OR S.P.D.T.
ACTUATION FORCE -----	30 OZ. MAX.
RELEASE FORCE -----	4 OZ. MIN.
PRETRAVEL -----	.010 MAX.
MOVEMENT DIFFERENTIAL -----	.005 MAX.
OVERTRAVEL -----	.125 MIN.
LIFE AT RATED LOAD -----	25,000 CYCLES
AMBIENT TEMPERATURE RANGE -----	-85°F TO +275°F
<b>DIELECTRIC STRENGTH ACROSS:</b>	
OPEN TERMINALS -----	800 VRMS (5 SEC.)
TERMINALS TO CASE -----	1000 VRMS (5 SEC.)
VOLTAGE DROP AT 1 AMP -----	.040 PLUS .011 PER FOOT OF LEAD
SEAL -----	CLASS 5 (HERMETIC) PER MIL-S-8805
MAX. ALLOWED LEAKAGE -----	1X10 <sup>-8</sup> STD. CC HE/SEC.
BACKFILL -----	DRY NITROGEN
FORCE ALLOWED ON TOP OF ACTUATOR -----	10 LBS. MAX.

MILITARY EQUIVALENT PART NUMBERS UNDER MIL-S-8805

T.I. PART NO.	MILITARY PART NO
10AT364-02-10	M8805/72-037
10AT364-03-10	M8805/72-039

**CURRENT CAPACITY**

SEA LEVEL AND 70,000 FT. ALTITUDE	
LOAD	28 VOLTS D.C.
RESISTIVE	4 AMP
INDUCTIVE	1 AMP
LAMP	2 AMP

SHOCK RESISTANCE WITHOUT CONTACT CHATTER -----	200 G'S
VIBRATION RESISTANCE (10-3000 HZ) WITHOUT CONTACT CHATTER -----	65 G'S
WEIGHT -----	.6 OZ. PLUS .10 OZ. PER LEAD PER FOOT OF WIRE

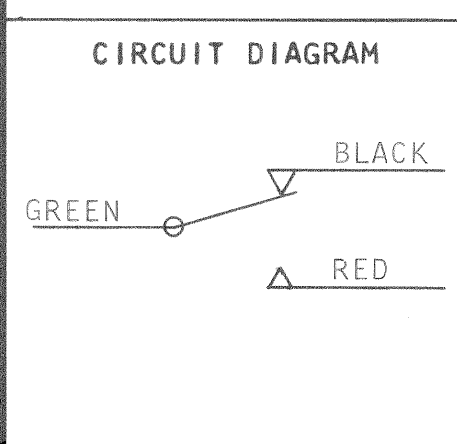
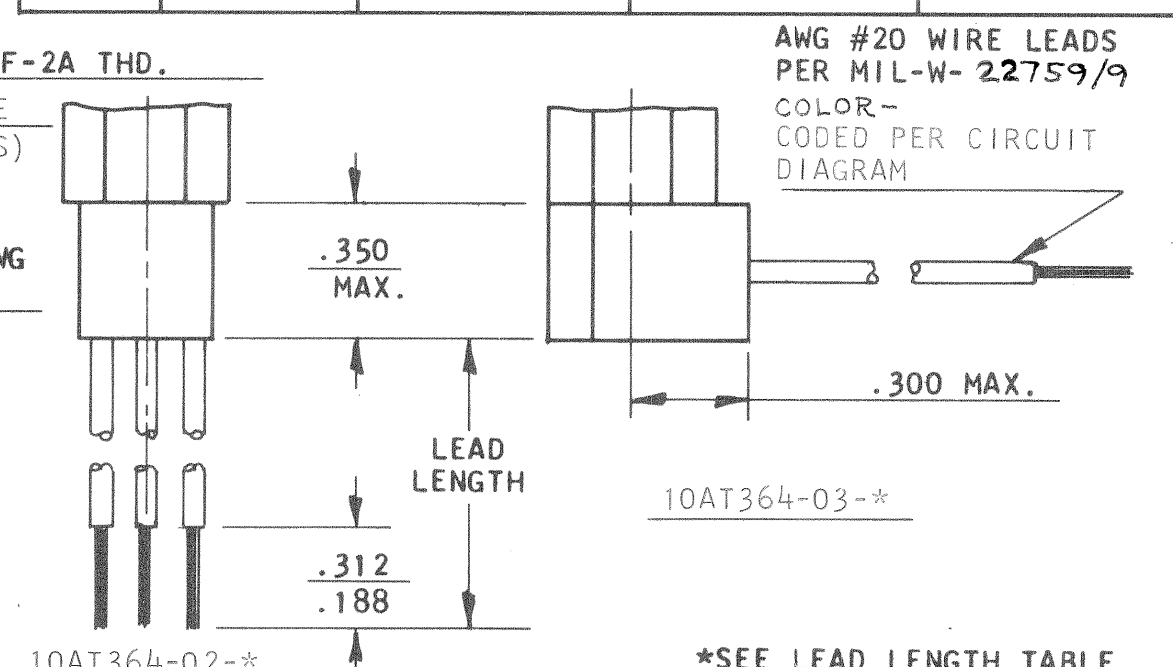
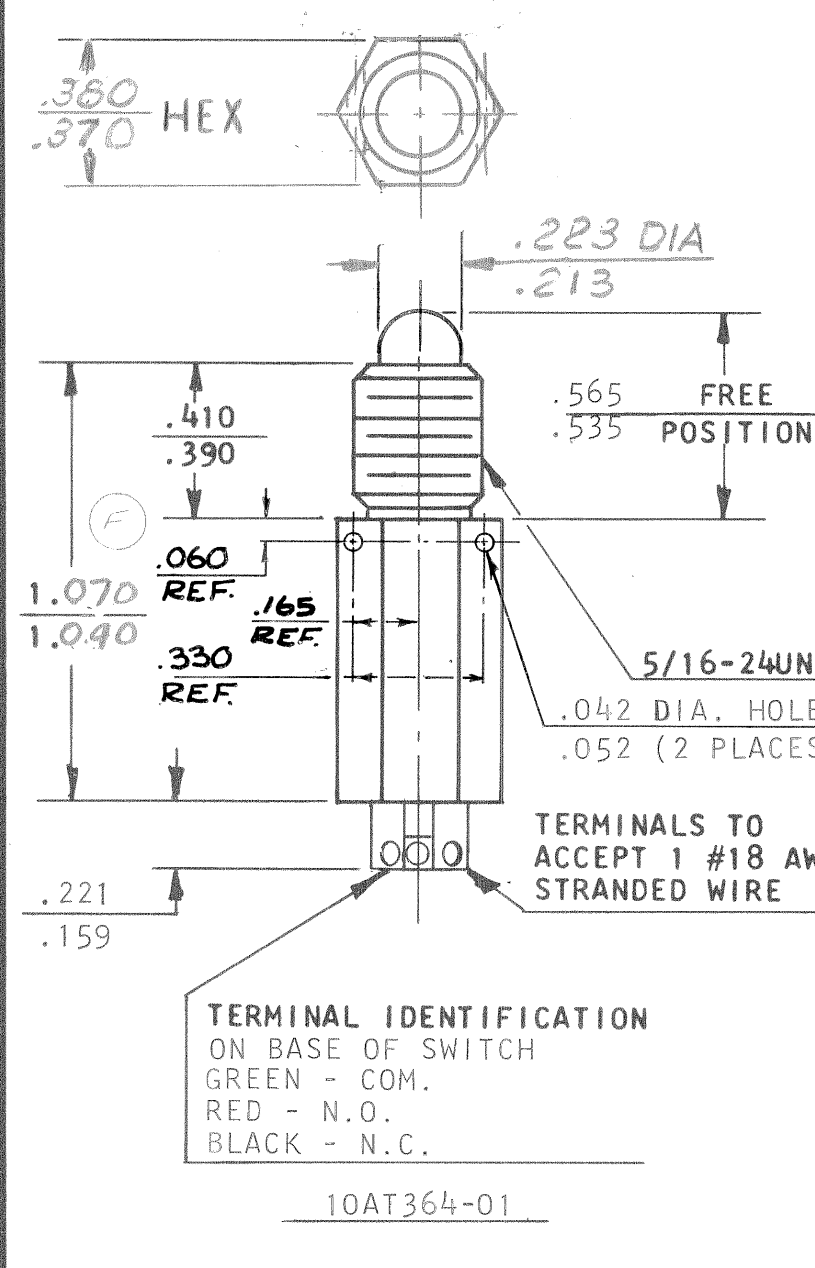
**MOUNTING HARDWARE STANDARD ON ALL SWITCHES**

ITEM	REQ'D	DESCRIPTION
HEX NUT	2	MS25082-C5 WITH THREE .047 LOCKWIRE HOLES
INTERNAL LOCKWASHER	1	MS35333-41

G	MIL-W-22759/9 WAS MIL-W-16878/5 (TYPE EE) CRM05844 0.2	7-15-91	CF
H	RESISTIVE WAS 7AMPS MIL P/13 WAS M8805/72-021,-023 CRM25154 RJM	1-17-96	JF
J	-037 WAS -029-039 WAS -031 ECN0000597	12-7-01	JF
K	1.080 WAS 1.150 ECN00008470 1.050 WAS 1.120 PM	3-5-02	JF
L	1.070/1.040 WAS 1.080/1.050 ECN00006680 GML	10-18-02	

REVISIONS				
ZONE	LTR	DESCRIPTION	DATE	APPROVED
-	-	1ST ISSUE CRA5920	PB	1-12-72 E.W.
-	A	SEE C.N. C.R. 47960	J.M.	8-16-72 E.W.
-	B	SEE C.N. C.R. 52687	T.D.	10-9-73 D.J.
-	C	SEE C.N. C.R. 52027 & 52029	L.S.	1-16-74 D.J.
-	D	SEE DCN CR 94721	TB	1-31-85 MJP
-	E	SEE C.N. CR 96816	KA	1-15-81 PTM
-	F	.060 REF. WAS .050-.070, .330-REF. WAS .320-.340 CR153629 EJ .165-REF. WAS .160-.170		4-25-89 DM

PART NO. EXAMPLE				
10AT	364-	0	1	-1
BASIC SWITCH	ENVELOPE DRAWING	0 = SPDT 1 = SPST-N.C. 2 = SPST-N.O.	1=NO LEADS 2=LEADS PARALLEL TO AXIS OF SWITCH 3=LEADS AT RIGHT ANGLE TO AXIS OF SWITCH	1 = 6" MIN. 2 = 12" 3 = 18" 4 = 24" 5 = 30" 6 = 36" 7 = 42" 8 = 48" 9 = 60" 10 = 72"



UNLESS OTHERWISE SPECIFIED DIMENSIONS ARE IN INCHES		BY P. BUMPUS	DATE 1-12-72	<b>TEXAS INSTRUMENTS</b> INCORPORATED ATTLEBORO, MASSACHUSETTS, U.S.A.	<b>KLIXON</b> CONTROL PRODUCTS DIVISION
TOLERANCE ON FRACTIONS DECIMALS ANGLES		CH. E. Whipple	1-12-72		
MATERIAL		ENG. E. Whipple	1-12-72		
APPROVED E. Whipple				SIZE B	CODE IDENT NO. 82647
TITLE HERMETICALLY SEALED S.P.S.T. OR S.P.D.T. SWITCH PLUNGER ACTUATED ENVELOPE DRAWING				10AT364	
SCALE 2:1				SHEET	