



KLIXON | PS80

Automatic Reset Pressure Switches

LEADING THE WORLD IN SWITCH DESIGN

The PS80 is an automatic reset pressure switch designed to meet a broad spectrum of applications. It offers a wide range of pressure settings, port fittings, and electrical connections. The PS80 is available in quick connect or wire leaded construction and is manufactured globally at our ISO 9001 certified manufacturing facilities to ensure the quality you expect from Sensata Technologies.

Sensata Technologies has been a leading global supplier of pressure sensors & switches for over 50 years.

Features & Benefits

- Custom Engineered Solutions
- Hermetically Sealed Sensor
- Environmentally Sealed Leads
- Flexible Set Point Range
- Fixed Set Points
- Single Pole, Single Throw
- Normally Open/Normally Closed
- Historically Proven Reliability

Applications

- Air Conditioning (R410a, R22, R134a, R407c CO² (R333a), Ammonia (R717))
- Engine Oil
- Compressors & Pumps
- Process Controls
- Automation
- Agricultural & Construction Equipment
- Vehicle Controls

Technical Specifications

Operating Pressure

0 to 750 psig (50 bar)

Proof Pressure**

Set Point	Proof Pressure
<100psig	250psig (17 Bar)
100-500psig	600psig (41 bar)
>500psig	800psig (55 bar)

Burst Pressure

5000 psig (345 bar)

Life at Rated Current

100,000 cycles

Electrical Ratings

120/240 Vac - 6.0 FLA 36 LRA
 120/277 Vac -375 VA Pilot Duty
 24Vac - 125 VA Pilot Duty

**The highest pressure a switch can be exposed to without influencing the set-point.

Dielectric Strength

750 Vrms Open Contacts
1550 Vrms Terminals to Fitting (Ground)

Lead Wire Material/Electrical Connection

#18 AWG 600 V 125°C 1/32" XLP UL 3173
 #18 AWG 600 V 125°C 1/16" XLP UL 3290
 Quick Connects
 Various AMP and Packard Connectors

Ambient Temperature (UL Rating)

-20°F to 176°F / (-29°C to 80°C)

Fluid Temperature (UL Rating)

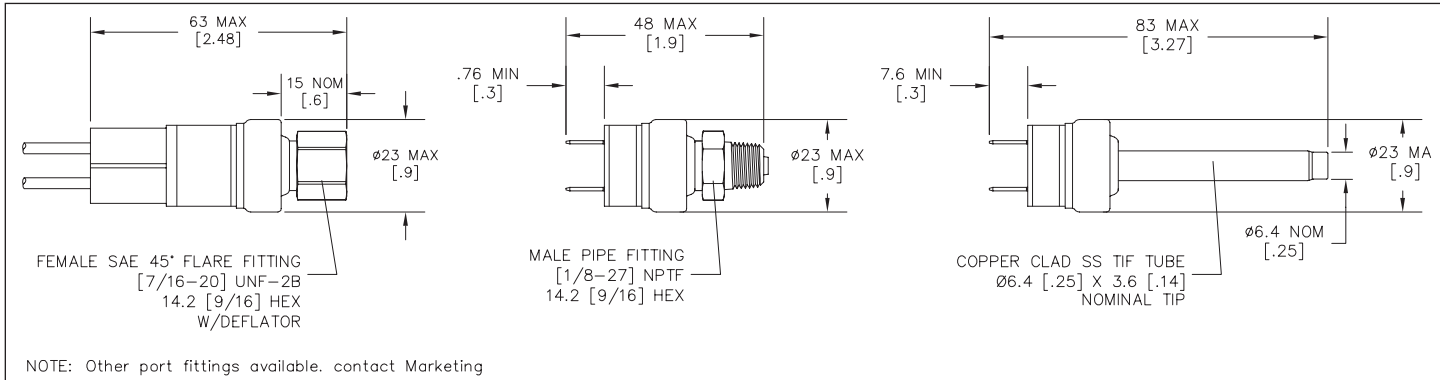
-65°F to 275°F (-54°C to 135°C)

Agency Recognitions

UL File SA995 Guide SDFY2
 UL (Canada) File SA995 Guide SDFY8
 PED EN 12263 Module B&D
 ENEC, EN60730 EN60730-1, EN60730-2-6
 RoHS Compliancy Available

Note: Leaded devices can be exposed to moisture not for use while immersed

Typical Physical Characteristics (Additional configurations are available. Contact Sensata.)



Sample Request Data Form

Company Name and Address _____

Contact _____

Phone _____ Fax _____ Email _____

Description of Application _____

Exact Function of Switch in System _____

Cut In Pressure _____ Tolerance _____ Cut Out Pressure _____ Tolerance _____

Pressure Port Fitting _____ Switch Termination _____

Wire Lead termination (e.g., 1/2 inch strip, 1/4 inch female Q.C., etc.) _____

Sustained System Pressure _____ Peak System Pressure _____

Switch Logic (Contacts to open/close on Pressure Rise) _____

Volts (AC/DC) _____ Amps _____ Inductive/Resistive _____

Cycle Life Requirement _____ Operating Temperature _____

Allowable Drift Over Temperature/Life _____

Switch Environment (Protected/Unprotected) _____

Agency Approvals (UL, VDE, TUV, ?) _____ Estimated Annual Volume _____



Sensata Technologies
 529 Pleasant Street, MS B19
 Attleboro, MA 02703-2964
 Phone 1-888-438-2214
 Fax: 508-236-2349
 email: sensors@sensata.com
 www.sensata.com

Important Notice: Sensata Technologies (Sensata) reserves the right to make changes to or discontinue any product or service identified in this publication without notice. Sensata advises its customers to obtain the latest version of the relevant information to verify, before placing any orders, that the information being relied upon is current. Sensata assumes no responsibility for infringement of patents or rights of others based on Sensata applications assistance or product specifications since Sensata does not possess full access concerning the use or application of customers' products. Sensata also assumes no responsibility for customers' product designs.

The World Depends on Sensors and Controls