



KLIXON® | 37HM SERIES **MOTOR PROTECTORS**

Hermetically Sealed On-Winding, 3-Phase

PRODUCT OVERVIEW

The Klixon® 37HM on-winding motor protector is a 3-phase line break, automatic reset device which interrupts line current at the centerpoint of a WYE (Star) wound motor.

Compliant with European Directive 2002/95/EC Restrictions On Use of Hazardous Substances (RoHS) + CAD FREE.

Features & Benefits

- Protect WYE (Star) wound 3-phase motors from 1 to 6-7HP. Used in refrigeration compressors, submersible pumps and other restrictive environments.
- In-line protection in a small, rugged, welded construction. Low profile shape allows for close coupling to motor windings.
- Klixon® snap-action discs assure positive make and break action and controlled temperature differential.
- Designed for low and high side pressure applications.

This protector is designed to protect 3-phase refrigeration and air conditioning compressor motors from excessive winding temperature; however, applications may be made to any WYE wound 3-phase motors where environmental conditions require a hermetic seal.

The low profile permits the device to be installed directly on motor windings for closely coupled temperature monitoring, thus enhancing over-temperature protection against loss of refrigeration charge, low voltage locked rotor, and single-phasing (loss of phase).

The 37HM is designed to reduce installation costs by replacing pilot control systems with a simple, economical, compact device.

Maximum Recommended Locked Rotor Current

Standard Series		
1XX	2XX	3XX
230V	460V	575V
90A	45A	35A

High Capacity Series		
4XX	5XX	6XX
230V	460V	575V
105A	75A	50A

Current ratings are based on life test data which has demonstrated high reliability at 0.7 power factor on Sensata test boards.

These capacities are intended as a guide for application work.

The basic element of the 37HM is the famous Klixon® Snap Acting

KLIXON® | 37HM SERIES MOTOR PROTECTORS

Hermetically Sealed On-Winding, 3-Phase

Opening Temperature

100°C to 180°C (5°C increments)
Tolerance ±5°C

Closing Temperature

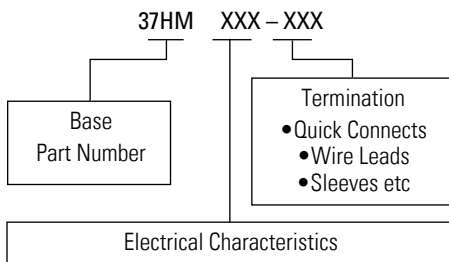
to suit application
Tolerance ±9°C

Pressure Rating

1500 PSIG
105 bar

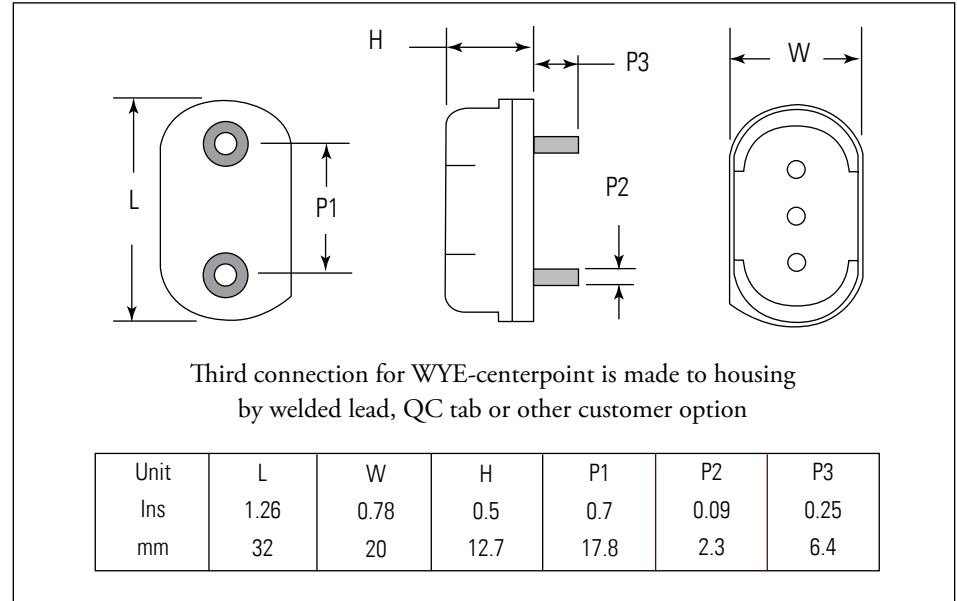
Coding System

When making an inquiry on Klixon® hermetically sealed motor protectors, be certain to specify the entire part number for your application, if known. The six digits following the series identification indicate your specific electrical and physical requirement.

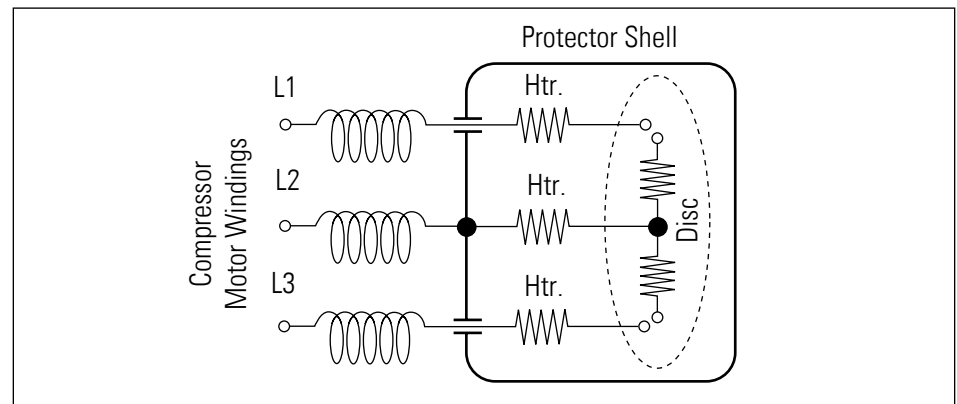


UL/Canadian UL - E15962
DEKRA (ENEC) - 2018218.08
CQC - CQC05002011992

37HM Hermetic Motor Protector



Electrical Schematic



The World Depends on Sensors and Controls

Sensata Technologies
529 Pleasant Street
Attleboro, MA 02703-2964
U.S.A.
Phone 1-508-236-3800
www.sensata.com

Important Notice: Sensata Technologies (Sensata) reserves the right to make changes to or discontinue any product or service identified in this publication without notice. Sensata advises its customers to obtain the latest version of the relevant information to verify, before placing any orders, that the information being relied upon is current. Sensata assumes no responsibility for infringement of patents or rights of others based on Sensata applications assistance or product specifications since Sensata does not possess full access concerning the use or application of customers' products. Sensata also assumes no responsibility for customers' product designs.