

EXT 300 SERIES *Circuit Breakers*

WORLD CLASS PERFORMANCE

The EXT 300 Series is designed as a drop-in replacement for mini type fuses for use in critical circuits, or where accessibility to the protector is limited. The EXT 300 is available in ratings up to 30 amps.

With an exceptional history of more than 90 years, Sensata Technologies is a leading supplier of sensors and switches.

Features

- SAE Type 1 (cycling) and Type 2 (non-cycling) device
- Metal encased
- Multiple bimetallic resistivities available

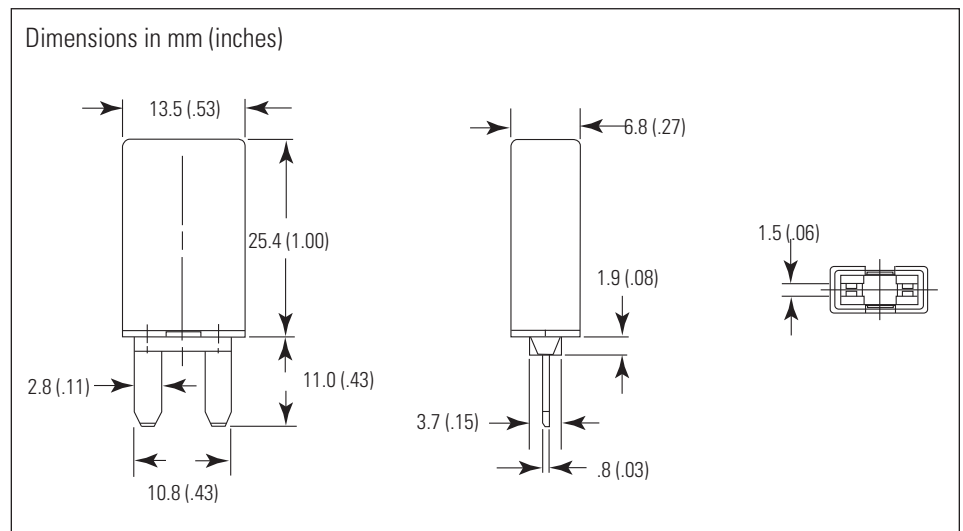
Benefits

- Compact design allows for integration into many areas of the vehicle
- Protected from abuse and contamination of the contact surface
- Meets longer life cycle requirements
- Low and stable series resistance

Sensata Technologies' EXT 300 Mini Foot-print Series of circuit breakers are designed for wiring harness protection in 12 Volt DC automotive applications. The EXT 300 is an ideal protection device to guard against momentary overloads. This device is especially designed for use in fuse blocks, where horizontal space is limited, but where there is enough vertical height to accommodate a relay. The EXT 300 can be mounted in a mini-fuse location. This bimetallic device is sensitive to both over-current and over-temperature fault conditions.

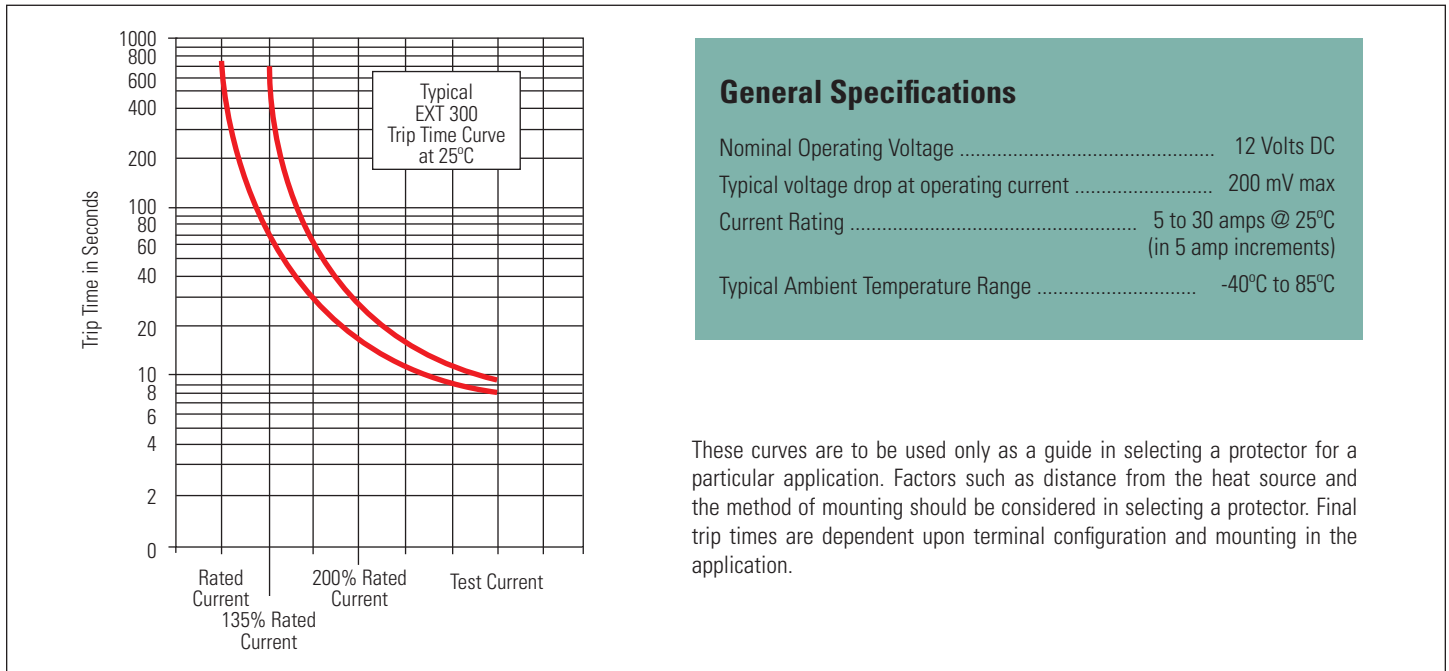
Sensata technologies is an ISO and QS registered company providing world-class quality products.

Dimensional Drawing



EXT 300 SERIES

Circuit Breakers



General Specifications

Nominal Operating Voltage	12 Volts DC
Typical voltage drop at operating current	200 mV max
Current Rating	5 to 30 amps @ 25°C (in 5 amp increments)
Typical Ambient Temperature Range	-40°C to 85°C

These curves are to be used only as a guide in selecting a protector for a particular application. Factors such as distance from the heat source and the method of mounting should be considered in selecting a protector. Final trip times are dependent upon terminal configuration and mounting in the application.

Global Sales Offices

North America

Sensata Technologies, Inc.
Electrical Protection
529 Pleasant Street, MS B-49
Attleboro, Massachusetts 02703
Phone: 1-508-236-3287

Europe

Sensata Technologies Holland B.V.
Kolphofsingel 8
7602 EM Almelo
The Netherlands
Phone: 31-546-879560

Asia

Sensata Technologies (Shanghai) Co., Ltd.
Novel Plaza, 8th Floor
128 Nanjing Road
West Huangpu District
Shanghai 200003, PRC
Phone: 86-21-23061553

Central & South America

Sensata Technologies Sensores e
Controles Do Brasil LTDA.
Rua Azarias de Melo, 648
Bairro Taquaral-Campinas/SP
Brasil
Phone: 19-3754-1142

Middle East & India

Sensata Technologies India Pvt. Ltd.
Bagmane Tech Park
Byrasandra CV Raman Nagar
Bangalore-560 093
India
Phone: 91-25-099329



Sensata Technologies

529 Pleasant Street
Attleboro, MA 02703-2964
U.S.A.
Phone 1-508-236-3800
www.sensata.com

Important Notice: Sensata Technologies (Sensata) reserves the right to make changes to or discontinue any product or service identified in this publication without notice. Sensata advises its customers to obtain the latest version of the relevant information to verify, before placing any orders, that the information being relied upon is current. Sensata assumes no responsibility for infringement of patents or rights of others based on Sensata applications assistance or product specifications since Sensata does not possess full access concerning the use or application of customers' products. Sensata also assumes no responsibility for customers' product designs.