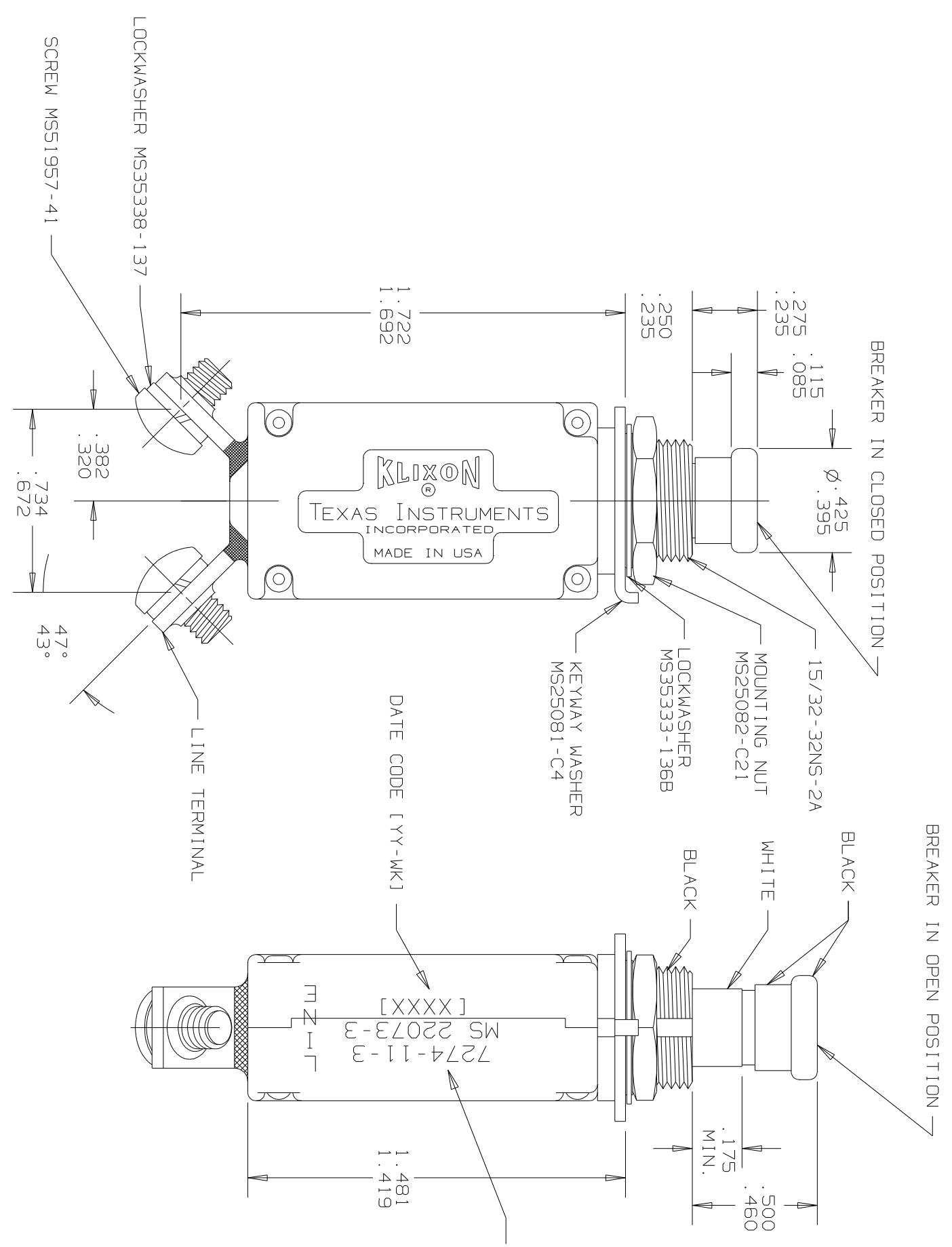
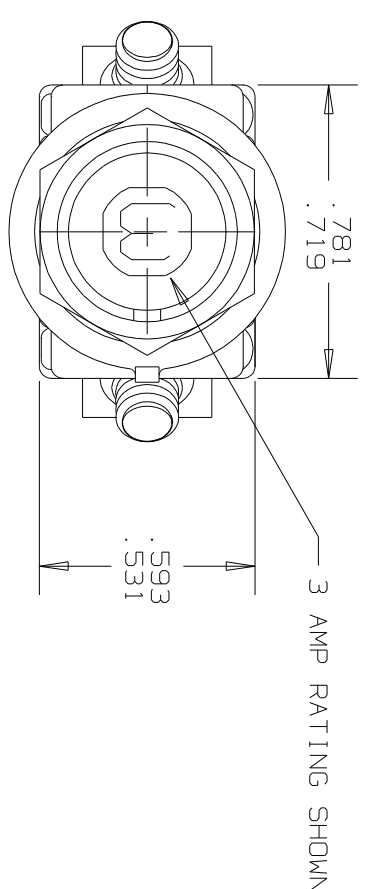


REVOLUTIONS		ZONE	LTR	DESCRIPTION	PROJ. #343B	DATE	APPROVED
AD	ADDED PART NO. AND DATE CODE			CRM46903	JRB	11-5-99	K.H.S.



PERFORMANCE CHARACTERISTICS (DETAIL PERFORMANCE PER MIL-C-5809)

OVERLOAD CYCLING ----- 100 CYCLES AT 200% RATING
 SINUSOIDAL VIBRATION ----- 10 G'S MINIMUM 50-500 HZ
 MECHANICAL SHOCK ----- 50 G'S AT 11.0 MILLISECOND DURATION
 ACCELERATION ----- 10 G'S MINIMUM
 SAND AND DUST ----- 12 HOURS
 CORROSION ----- SALT SPRAY 48 HOURS
 HUMIDITY ----- 10 DAYS
 EXPLOSION PROOF ----- WHITE INTERRUPTING RUPTURE CURRENTS

MAXIMUM OPERATING ALTITUDE: 80,000 FT. (24,384 M)
 WEIGHT: 33.0 GRAMS MAX.
 MAXIMUM OPERATING FORCES: PULL OUT ----- 5 LBS. MAX. (22.2 N)
 RESET ----- 5 LBS. MAX. (22.2 N)

ENDURANCE: 120 VAC ----- 400 HZ RESISTIVE ----- 5000 CYCLES
 120 VAC ----- 400 HZ RESISTIVE ----- 5000 CYCLES
 30 VDC ----- 2500 CYCLES
 30 VDC ----- 5000 CYCLES
 NO LOAD ----- MECHANICAL ----- 5000 CYCLES

CALIBRATION: AMBIENT TEMP. HOLD TRIP 200% 500% 1000%
 +25°C (+77°F) 115% RATING 150% RATING 2-20 SEC. .16-2 SEC. .046-.8 SEC.
 -55°C (-67°F) 135% RATING 180% RATING -----
 +71°C (+160°F) 90% RATING 130% RATING -----

PART NO.	MS PART NO.	AMP RATING	MAXIMUM VOLTAGE DROP	CURRENT INTERRUPTING CAPACITY
7274-11-1/2	MS 22073-1/2	1/2	2.00	120 VAC, 400 HZ UNLIMITED
7274-11-3/4	MS 22073-3/4	3/4	1.45	UNLIMITED
7274-11-1	MS 22073-1	1	1.10	UNLIMITED
7274-11-1 1/2	MS 22073-1 1/2	1 1/2	0.75	UNLIMITED
7274-11-2	MS 22073-2	2	0.75	UNLIMITED
7274-11-2 1/2	MS 22073-2 1/2	2 1/2	0.70	UNLIMITED
7274-11-3	MS 22073-3	3	0.55	UNLIMITED
7274-11-4	MS 22073-4	4	0.45	UNLIMITED
7274-11-5	MS 22073-5	5	0.35	UNLIMITED
7274-11-7 1/2	MS 22073-7 1/2	7 1/2	0.30	UNLIMITED
7274-11-10	MS 22073-10	10	0.28	UNLIMITED
7274-11-15		15	0.25	UNLIMITED
7274-11-20		20	0.25	UNLIMITED

SUPERSEDES DWG. 7274-11 REV. "AC", DATED 1-6-95

- NOTES:
1. ALL MOUNTING HARDWARE HAS A DULL BLACK FINISH.
 2. CIRCUIT BREAKERS ARE SUITABLE FOR MOUNTING IN A 1/8" THICK PANEL OR LESS.
 3. EPOXY SURFACES ARE NON-DIMENSIONED. ENVELOPE DIMENSIONS DO NOT APPLY TO THESE PROTECTED EPOXY SURFACES.
 4. 1/2 THRU 10 AMP CIRCUIT BREAKERS ARE QUALIFIED TO MS 22073.
 5. DATE CODE PER 105288-285.

UNLESS OTHERWISE SPECIFIED DIMENSIONS ARE IN INCHES	DRAWN	TOM DAIL	DATE	5-30-90	<p>TEXAS INSTRUMENTS ATTLEBORO, MASSACHUSETTS 02703</p>	<p>Klixon CONTROL PRODUCTS DIVISION</p>
TOLERANCE ON ANGLES	ENGINEER	K.B. GASSER	DATE	6-26-92		
	APPROVED	D.R. PETRIE	DATE	12-22-94	TITLE 7274-11 STYLE CIRCUIT BREAKER PUSH-PULL, TRIP FREE ENVELOPE DRAWING	
MATERIAL	SIGNATURES ON FILE. REFER TO ELECTRONIC CHANGE NOTICE.		SIZE	CODE IDENT. NO.	82647	7274-11