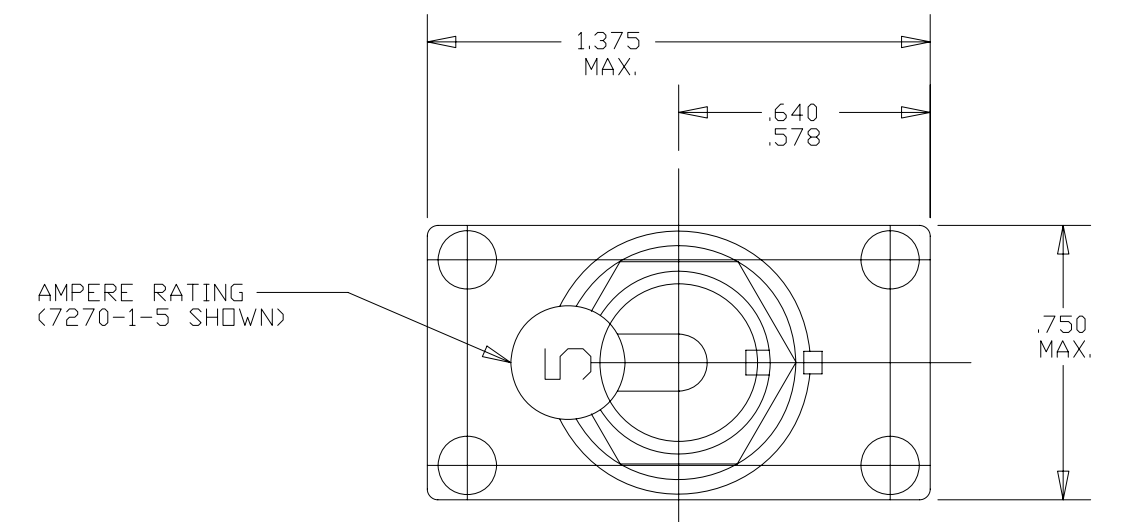
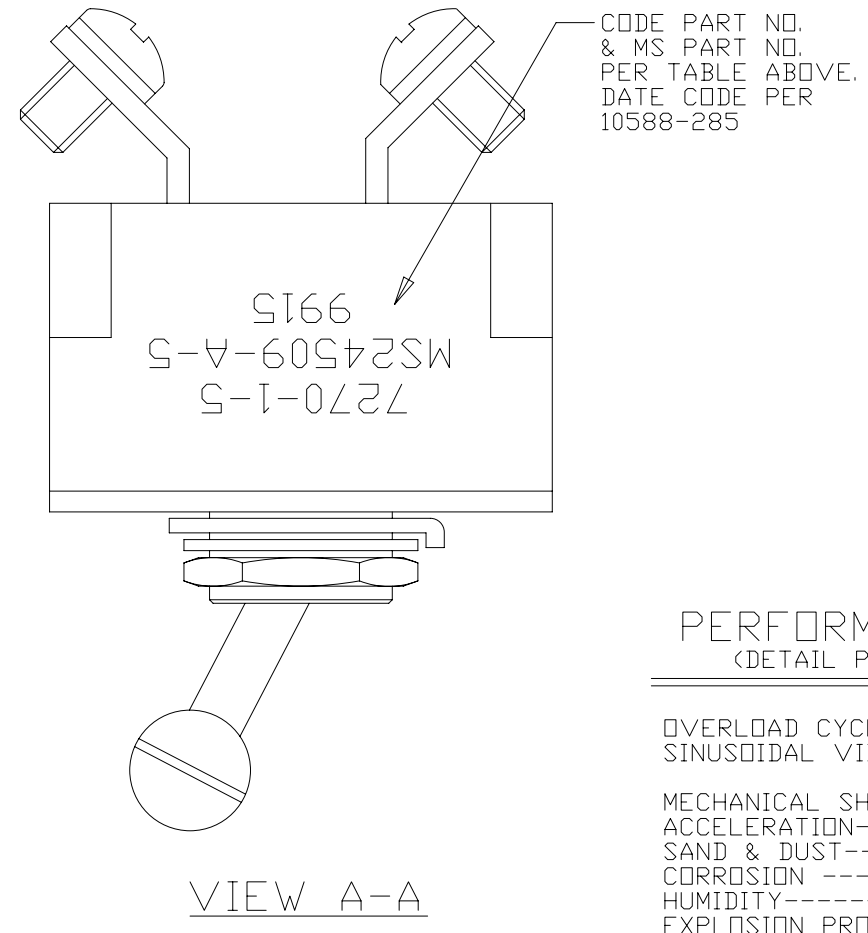
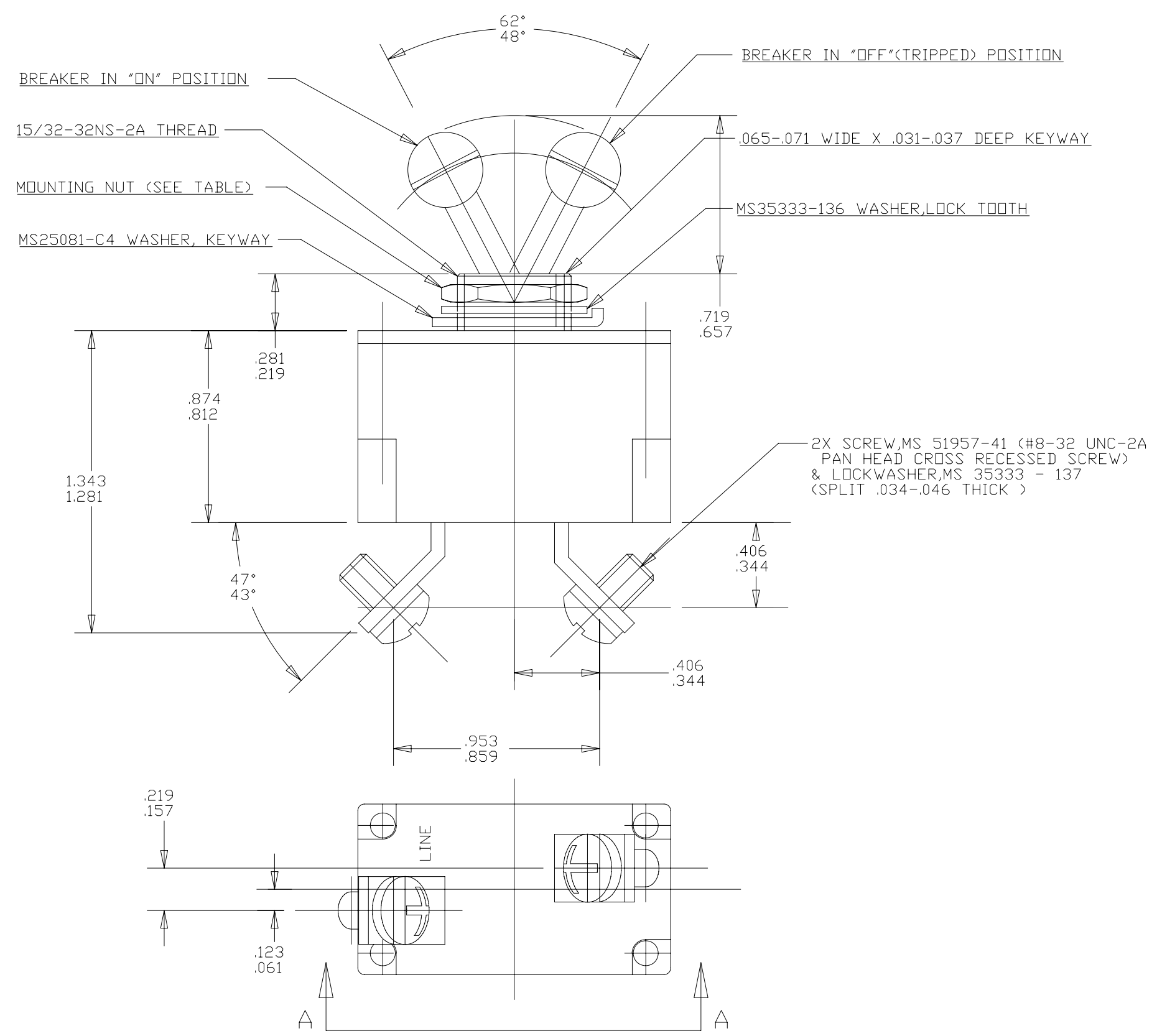


Property of
Sensata Technologies

| ZONE | REV. | REVISION DESCRIPTION | ECN NO. | DATE |
|------|------|---|------------|-------------|
| D1 | T | IN TABLE PN MS24509-A-7-1/2 WAS MS24509-A-7 1/2; PD | ECN0042066 | 19-MAY-2008 |



| MAXIMUM VOLTAGE DROP | % RATED CURRENT | | | MOUNTING NUT | PART NO. | AMP. RATING | CUSTOMER PART NO. |
|----------------------|-----------------|---------|--------|------------------|--------------|-------------|-------------------|
| | 200 | 400 | 600 | | | | |
| 0.75 | 40-120 | 3-26 | 1-12 | TIN PLATED BRASS | 7270-1-3 | 3 | |
| 0.65 | 40-100 | 3-22 | 1-10 | MS25082-C21 | 7270-1-5 | 5 | MS24509-A-5 |
| 0.50 | 10-70 | .75-7.0 | 25-2.5 | MS25082-C21 | 7270-1-7 1/2 | 7 1/2 | MS24509-A-7-1/2 |
| | | | | MS25082-C21 | 7270-1-10 | 10 | MS24509-A-10 |
| | | | | MS25082-C21 | 7270-1-15 | 15 | MS24509-A-15 |
| | | | | TIN PLATED BRASS | 7270-1-20 | 20 | |
| | | | | TIN PLATED BRASS | 7270-1-25 | 25 | |
| | | | | TIN PLATED BRASS | 7270-1-30 | 30 | |
| | | | | TIN PLATED BRASS | 7270-1-35 | 35 | |
| | | | | TIN PLATED BRASS | 7270-1-38 | 38 | |



PERFORMANCE CHARACTERISTICS
(DETAIL PERFORMANCE PER MIL-C-5809)

OVERLOAD CYCLING-----100 CYCLES AT 200% RATING
 SINUSOIDAL VIBRATION-----10 G'S 50-500 HZ
 MECHANICAL SHOCK-----30 G'S AT 11.0 MILLISECOND DURATION
 ACCELERATION-----10 G'S MINIMUM
 SAND & DUST-----12 HOURS
 CORROSION-----SALT SPRAY 48 HOURS
 HUMIDITY-----10 DAYS
 EXPLOSION PROOF-----WHILE INTERRUPTING RUPTURE CURRENTS

MAXIMUM OPERATING ALTITUDE: 70,000 FT.
 WEIGHT: 39.0 GRAMS MAX.
 MAXIMUM OPERATING FORCES:
 PULL OUT-----6 LBS. MAX.
 RESET-----6 LBS. MAX.

CURRENT INTERRUPTION CAPACITY: 4,000 A @ 30 VDC.
 3,500 A @ 120 VAC, 400HZ.

ENDURANCE:
 120 VAC-----400 HZ INDUCTIVE -----5000 CYCLES
 120 VAC-----400 HZ RESISTIVE -----5000 CYCLES
 30 VDC-----INDUCTIVE -----200 CYCLES
 30 VDC-----RESISTIVE -----5000 CYCLES
 NO LOAD-----MECHANICAL -----10000 CYCLES

CALIBRATION:

| AMBIENT TEMP. | HOLD | TRIP |
|---------------|-------------|-------------|
| +25°C | 115% RATING | 145% RATING |
| -40°C | 138% RATING | 175% RATING |
| +71°C | 80% RATING | 125% RATING |

NOTES:
 1. EPOXY SURFACES ARE NON-DIMENSIONED, ENVELOPE DRAWING DIMENSIONS DO NOT APPLY TO THESE PROJECTED EPOXY SURFACES.

| | | | |
|---|--|---|---|
| FOR REFERENCE ONLY, CHECK LATEST REVISION BEFORE USE. PARTS MADE TO THIS PRINT MUST CONFORM TO E9898 REV. E | | 529 PLEASANT STREET P.O. BOX 2964 ATTLEBORO, MA 02703 | |
| DRAWN O. LARSEN DATE 03-MAY-1995 ENGINEER M. J. LAVADO DATE 03-MAY-1995 APPROVED H. HIRSBRUNNER DATE 16-MAY-1989 APPROVED PETER G. BERG DATE 03-MAY-1995 | SENSATA TECHNOLOGIES PROPRIETARY AND CONFIDENTIAL. NEITHER THIS PRINT NOR THE INFORMATION CONTAINED HEREON IS TO BE USED AGAINST THE INTERESTS OF SENSATA TECHNOLOGIES OR AGAINST THE INTERESTS OF ANY OF ITS AFFILIATED COMPANIES OR WHOLLY OWNED SUBSIDIARIES. UNLESS OTHERWISE SPECIFIED DIMENSIONS ARE IN INCHES TOLERANCES DECIMALS ANGLES | | TITLE 7270-1 TYPE TRIP FREE SWITCH TYPE CIRCUIT BREAKER ENVELOPE DRAWING |
| DO NOT SCALE DRAWING | THIRD ANGLE PROJECTION | SIZE C DWG NO. 7270-1 SCALE 2:1 AUTOCAD SHEET 1 OF 1 | REV. T PROJECT: 1 |