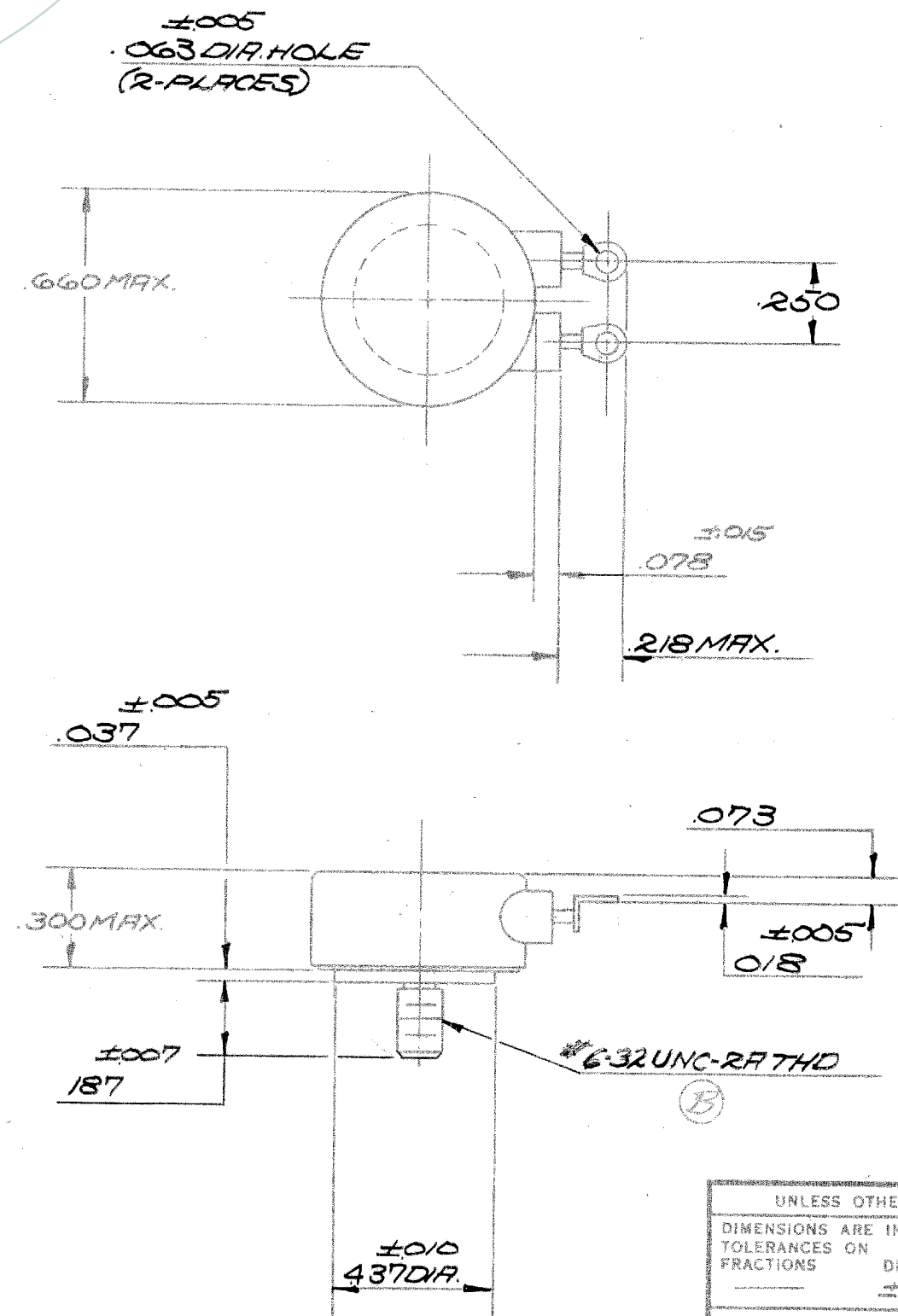


Property of  
Sensata Technologies

EACH PART NUMBER CONTAINS ELEVEN CHARACTERS, WHICH CAN BE DEVIDED INTO FOUR SECTIONS OF SIGNIFICANCE, AND A DASH NUMBER WHICH INDICATES SPECIAL CHARACTERISTICS. THE EXPLANATION BELOW IS FOR GENERAL REFERENCE.

REVISIONS				
SYM	DESCRIPTION	DATE	APPROVAL	
—	1ST ISSUE CR12055	J.D.M.	4-23-64	
A	ADDED "FINISH" & "CONTACTS" TO DWG CR12345	J.D.M.	5-25-64	
B	WAS 6-32 UNC-2A CR23533	G.A.P.	3-18-68	



MRS □ □ □ □ □ □ □ □ □ □ □ □ □ □ □ □

L=OPEN ON TEMPERATURE RISE +°F  
 F=CLOSE ON TEMPERATURE RISE +°F  
 B=OPEN ON TEMPERATURE RISE -°F  
 M=CLOSE ON TEMPERATURE RISE -°F

CLOSING TEMPERATURE °F \_\_\_\_\_

PLUS & MINUS TOLERANCE FOR CLOSING TEMPERATURE \_\_\_\_\_

DIFFERENTIAL:

05 INDICATES 2°-5°F DIFF. \_\_\_\_\_  
 09 INDICATES 5°-9°F DIFF. \_\_\_\_\_

THIS IS A DASH NO. WHICH IS ASSIGNED CONSECUTIVELY AS REQUIRED FOR IDENTIFYING NEW VARIATIONS IN PHYSICAL DESIGN AND/OR RATING WHICH ARE IN THE SPECIAL CATEGORY.

FOR PERFORMANCE CHARACTERISTICS REFER TO 12578  
 FINISH: COPPER NICKEL PLATE (QQ-N-290, TYPE IV, CLASS 2)  
 CONTACTS: FINE SILVER.

UNLESS OTHERWISE SPECIFIED		BY	DATE	9161 94-1 F8-1	
DIMENSIONS ARE IN INCHES		J.D.MAYALL	4-23-64		
TOLERANCES ON FRACTIONS		CH.			
_____	DECIMALS	APP.			
_____	$\pm 0.010$	<i>Forheity</i>	4-24-64		
_____	ANGLES				
				MRS-18 STYLE THERMOSTAT	
				SPST AUTO RESET SEALED	
				NARROW DIFFERENTIAL	
				ENVELOPE DRAWING	
				SCALE 2/1	
				METALS & CONTROLS INC	
				A CORPORATE DIVISION OF	
				TEXAS INSTRUMENTS INCORPORATED	
				SPENCER Klixon PRODUCTS	
				ATTLEBORO, MASSACHUSETTS, U.S.A.	
				Dwg. SIZE	
				B	
				MRS-18	
				CODE IDENT NO.	
				82647	