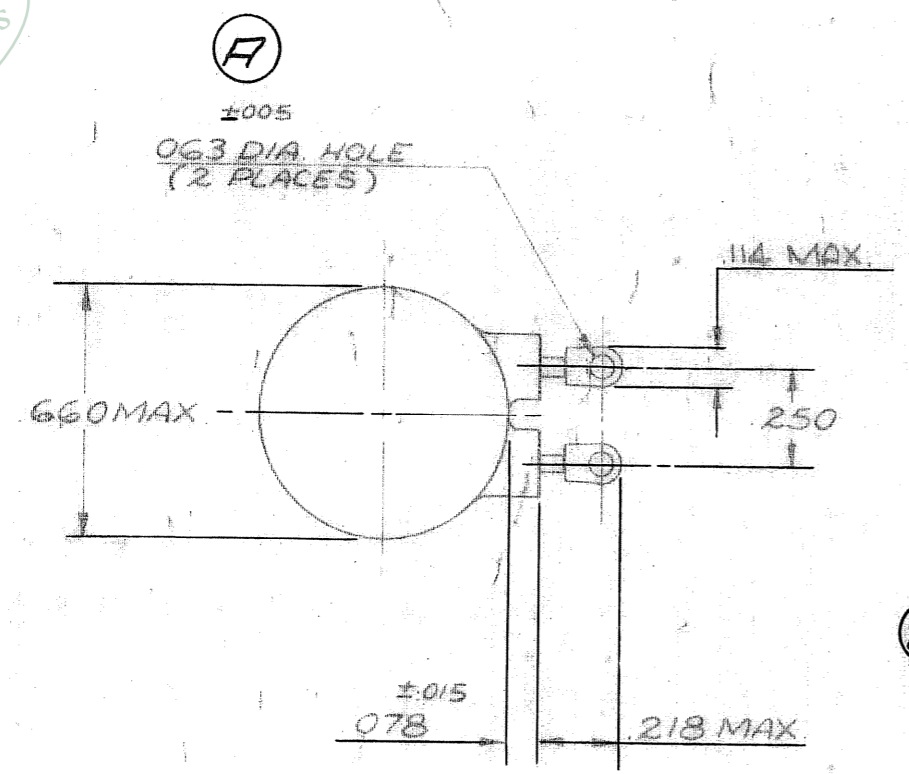


Property of
Sensata Technologies

COMPLETE PART NUMBERS FOR STANDARD TYPE M2 THERMOSTAT CONTAIN FOURTEEN CHARACTERS WITH SIGNIFICANCE INDICATED BELOW.

REVISIONS			
SYM	DESCRIPTION	DATE	APPROVAL
-	1ST ISSUE CR.6553 J.D.M.	2-9-62	
A	DIMENSIONS 003+005-000 DIA HOLE CR.6618 J.D.M.	2-19-62	
B	ADDED "A" & "5" TO CODE ON FINISH & NOTE WAS "CLOSING TEMPERATURE TOLERANCE" J.D.M.	3-9-62	
C	ADDED #6 TO FINISH CR.4963 J.D.M.	5-7-65	
D	ADDED #8 TO FINISH CR.M32936 R.J.M.	2-25-97	



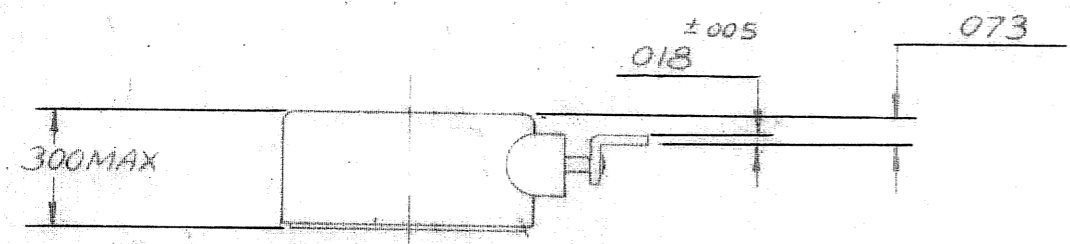
- L= OPEN ON TEMPERATURE RISE +°F
- F= CLOSE ON TEMPERATURE RISE +°F
- B= OPEN ON TEMPERATURE RISE -°F
- M= CLOSE ON TEMPERATURE RISE -°F

CLOSING TEMPERATURE °F

(B2) PLUS & MINUS TOLERANCE FOR CLOSING TEMPERATURE

DIFFERENTIAL:
05 INDICATES 2°-5°F DIFF.
09 INDICATES 5°-9°F DIFF.

M221 □ □ □ □ □ □ □ □ □ □



CODE	FINISH
0	NONE
1	CADMIUM
2	COPPER NICKEL
3	BLACK CHROMATE
4	TIN PLATE
5	CHROMATE DIP (BRONZE DIP OR EQUIV)
6	COPPER PLATE
7	
8	ZINC WITH OLIVE DRAB

CODE	CONTACTS
1	FINE SILVER
2	GOLD PLATED FINE SILVER

THE M221 STYLE THERMOSTAT INCLUDES A SEPARATE MOUNTING BRACKET, PART NO. 12417-1.
FOR PERFORMANCE CHARACTERISTICS REFER TO 12578

UNLESS OTHERWISE SPECIFIED			BY	DATE
DIMENSIONS ARE IN INCHES			J.D.MAYALL	2-9-62
TOLERANCES ON FRACTIONS	DECIMALS	ANGLES		
	±010		J. J. Healy	2-12-62

M221 STYLE THERMOSTAT
SPST AUTO. RESET SEALED
NARROW DIFFERENTIAL
ENVELOPE DWG

04 P17 P1

TEXAS INSTRUMENTS
INCORPORATED
METALS & CONTROLS DIVISION
ATLANTIC, MASSACHUSETTS, U.S.A.

SPENCER KILKON PRODUCTS

DWG. NO. **M221**

SCALE 2/1 WT APPROX 56 GRAMS