

5

4

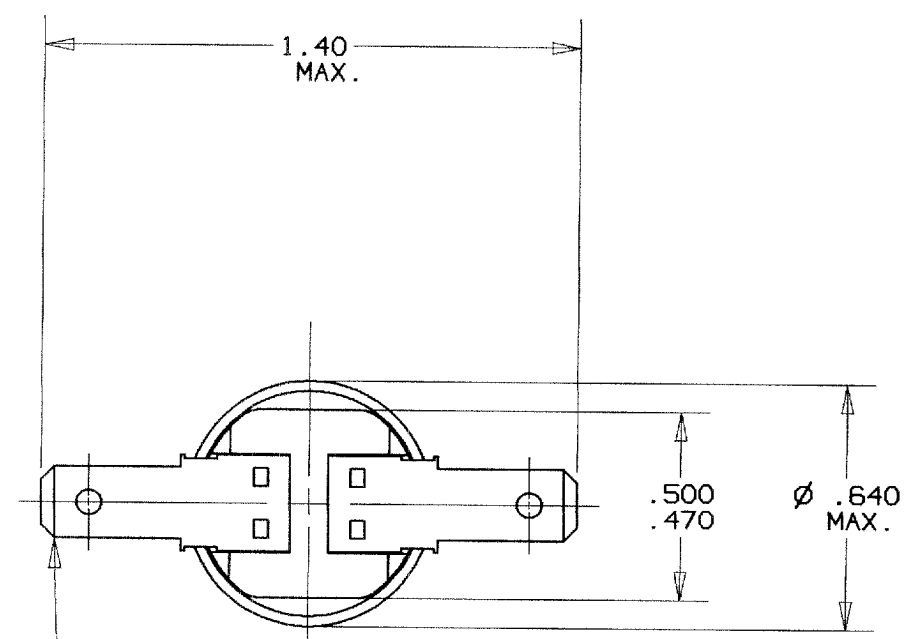
3

2

1

Property of  
Sensata Technologies

REVISIONS						
ZONE	LTR	7BT2	DESCRIPTION	PROJ. # 3190	DATE	APPROVED
	A	1 <sup>ST</sup> ISSUE		CRM47036	JRB 08/19/99	S.B.M.

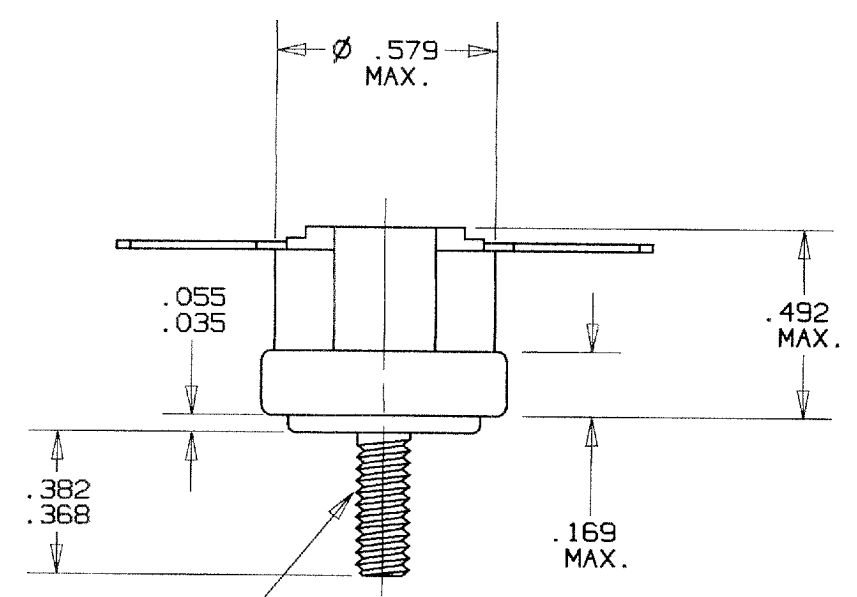


2x FLAT .250 REF. Q.C. TERMINAL  
.030 THICK REF.

PART NO.: 7BT2L9G-\*  
7BT2F9G-\*

"L" DESIGNATES OPEN ON TEMPERATURE RISE.  
"F" DESIGNATES CLOSE ON TEMPERATURE RISE.

\*WHEN CUSTOMERS TEMPERATURE CHARACTERISTICS ARE ESTABLISHED A DASH NO. WILL BE ASSIGNED, THEREBY COMPLETING THE PART NO.



UNLESS OTHERWISE SPECIFIED DIMENSIONS ARE IN INCHES			DATE	Q4	P17	P1
DRAWN JOE BYRA			08-19-99	TEXAS INSTRUMENTS ATTELEBORO, MASSACHUSETTS 02703		KLIXON CONTROL PRODUCTS DIVISION
TOLERANCES ON FRACTIONS DECIMALS ANGLES			ENGINEER S.B. MARQUIS	08-19-99	TITLE FIXED TEMPERATURE THERMOSTAT ENVELOPE DRAWING	
APPROVED DAVE PETRIE			08-19-99	SIZE B		
APPROVED P. BERG			08-19-99			
MATERIAL			CODE IDENT NO. 82647		7BT2-9G	
SIGNATURES ON FILE. REFER TO ELECTRONIC CHANGE NOTICE.						