

5

4

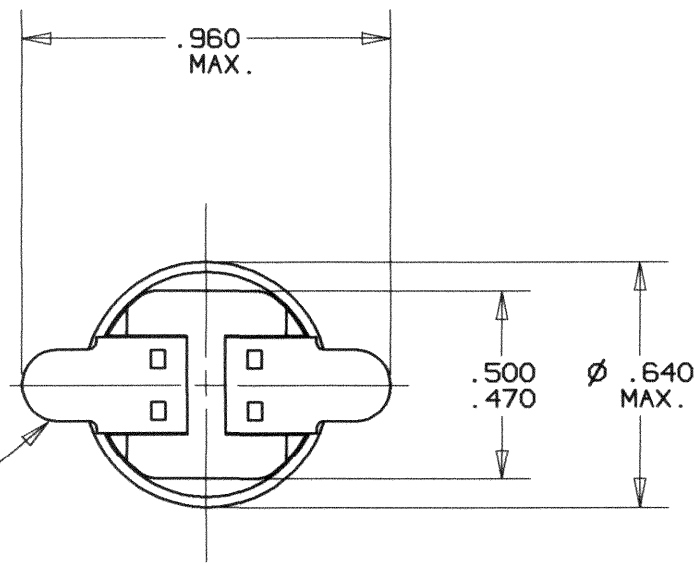
3

2

1

Property of
Sensata Technologies

REVISIONS						
ZONE	LTR	7BT2	DESCRIPTION	PROJ.# 3190	DATE	APPROVED
	A		1 ST ISSUE	CRM47033	JRB 08/19/99	S.B.M.

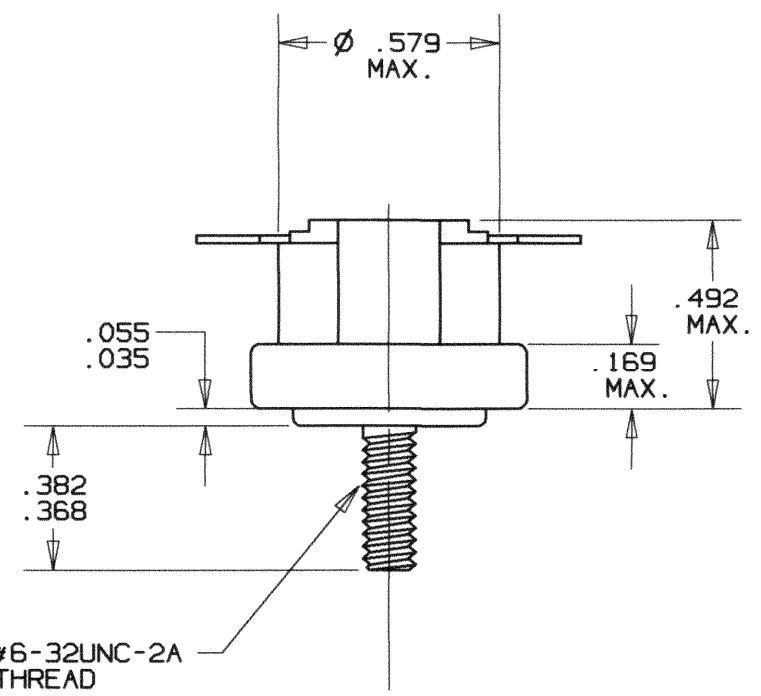


2X FLAT WELD TERMINALS
.028 THICK REF.
.172 WIDE REF.

PART NO.: 7BT2L9C-*
7BT2F9C-*

"L" DESIGNATES OPEN ON TEMPERATURE RISE.
"F" DESIGNATES CLOSE ON TEMPERATURE RISE.

*WHEN CUSTOMERS TEMPERATURE CHARACTERISTICS ARE ESTABLISHED A DASH NO. WILL BE ASSIGNED, THEREBY COMPLETING THE PART NO.



#6-32UNC-2A
THREAD

										Q4		P17	
UNLESS OTHERWISE SPECIFIED DIMENSIONS ARE IN INCHES				DRAWN JOE BYRA		DATE 08-19-99		TEXAS INSTRUMENTS ATTLBORO, MASSACHUSETTS 02703				KLIXON CONTROL PRODUCTS DIVISION	
TOLERANCES ON FRACTIONS DECIMALS ANGLES				ENGINEER S.B. MARQUIS		DATE 08-19-99		TITLE FIXED TEMPERATURE THERMOSTAT ENVELOPE DRAWING					
MATERIAL				APPROVED DAVE PETRIE		DATE 08-19-99		SIZE B		CODE IDENT NO. 82647		7BT2-9C	
				APPROVED P. BERG		DATE 08-19-99							
				SIGNATURES ON FILE. REFER TO ELECTRONIC CHANGE NOTICE.									