

5

4

3

2

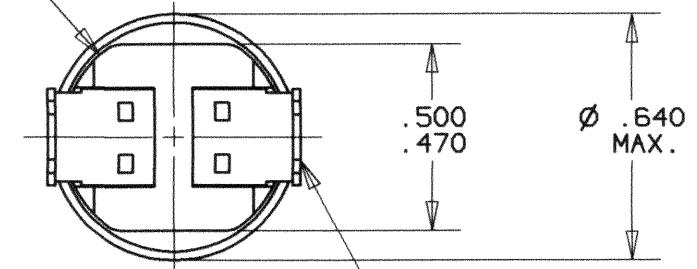
1

REVISIONS

ZONE	LTR	7BT	DESCRIPTION	PROJ. # 3190	DATE	APPROVED
	A	1 ST ISSUE		CRM47032	JRB 08/19/99	S.B.M.

Property of
Sensata Technologies

Ø .579 MAX.

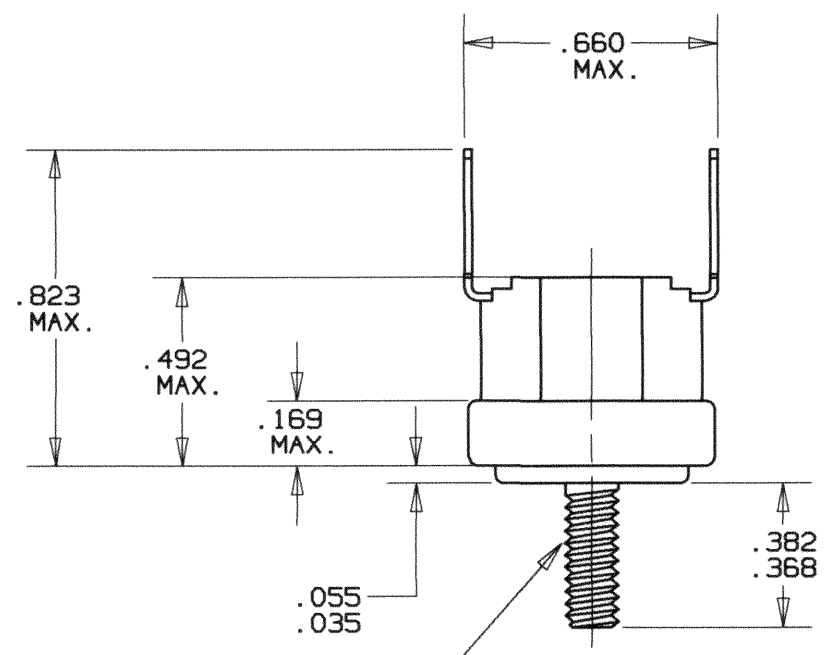


2X 90° .187 Q.C. REF. TERMINAL
.020 REF. THICK

PART NO.: 7BT2L9B-*
7BT2F9B-*

"L" DESIGNATES OPEN ON TEMPERATURE RISE.
"F" DESIGNATES CLOSE ON TEMPERATURE RISE.

*WHEN CUSTOMERS TEMPERATURE CHARACTERISTICS ARE ESTABLISHED A DASH NO. WILL BE ASSIGNED, THEREBY COMPLETING THE PART NO.



#6-32UNC-2A
THREAD

										Q4	P17
UNLESS OTHERWISE SPECIFIED DIMENSIONS ARE IN INCHES	DRAWN	DATE	TEXAS INSTRUMENTS ATLEBORO, MASSACHUSETTS 02703				KLIXON CONTROL PRODUCTS DIVISION				
	JOE BYRA	08-19-99									
TOLERANCES ON FRACTIONS DECIMALS ANGLES	ENGINEER	DATE	TITLE FIXED TEMPERATURE THERMOSTAT ENVELOPE DRAWING								
	S.B. MARQUIS	08-19-99									
MATERIAL	APPROVED	DATE	SIZE B								
	DAVE PETRIE	08-19-99									
	APPROVED	DATE									
	P. BERG	08-19-99	CODE IDENT NO.		7BT2-9B						
SIGNATURES ON FILE. REFER TO ELECTRONIC CHANGE NOTICE.			82647								