

5

4

3

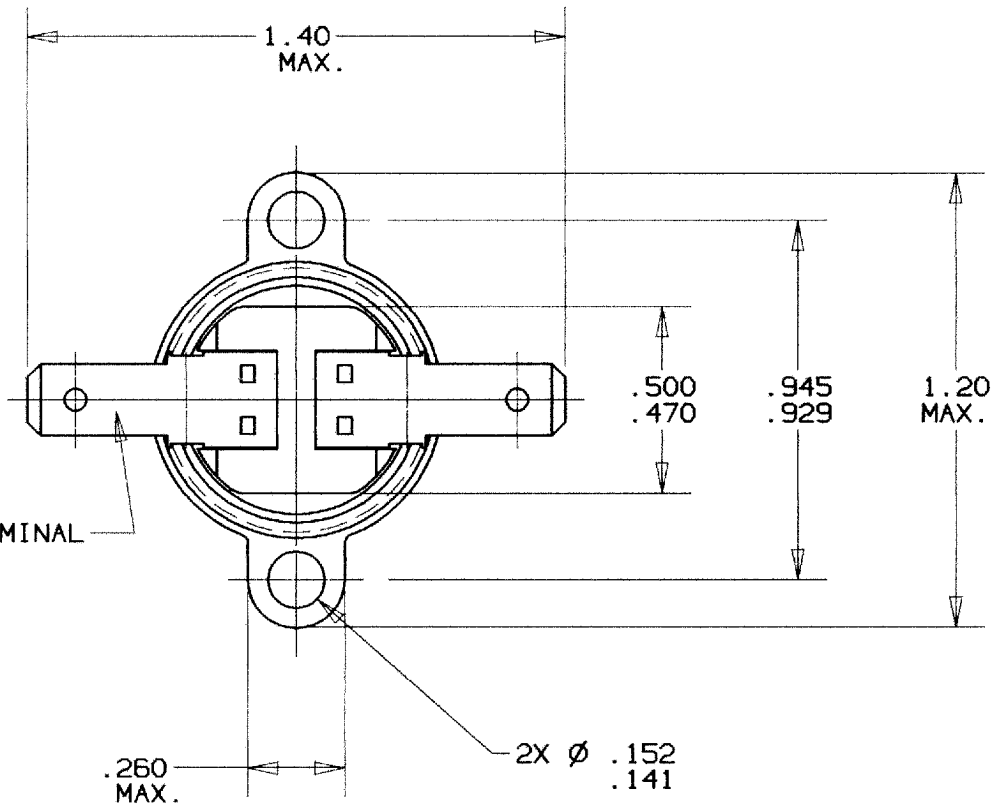
2

1

REVISIONS

ZONE	LTR	DEV. #	DESCRIPTION	PROJ. #	DATE	APPROVED
	A	7BT2	1 ST ISSUE	3190	12/09/98	S.B.M.
				ECN#M42898 MF		

Property of
Sensata Technologies



2X FLAT .250 REF. Q.C. TERMINAL
.030 THICK REF.

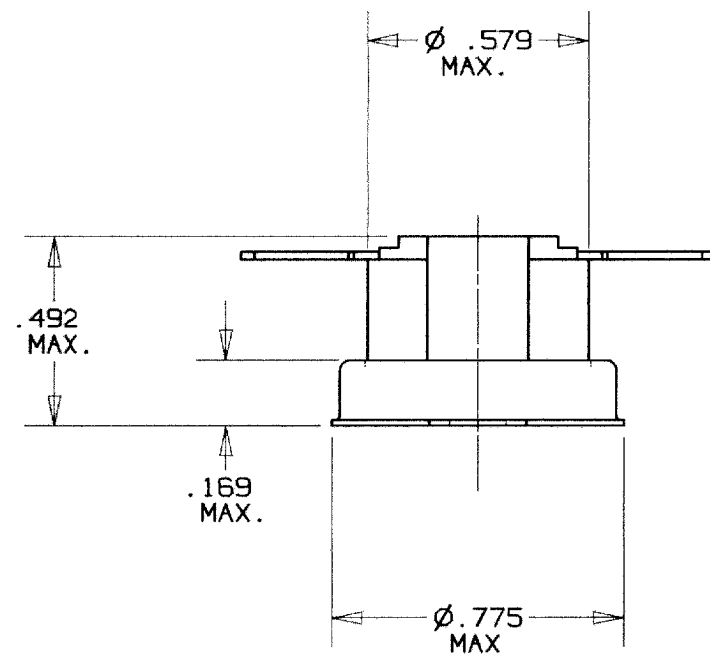
.260
MAX.

2X ϕ .152
.141

PART NO.: 7BT2L3G-*
7BT2F3G-*

L DESIGNATES OPEN ON TEMPERATURE RISE.
F DESIGNATES CLOSE ON TEMPERATURE RISE.

*WHEN CUSTOMERS TEMPERATURE CHARACTERISTICS ARE ESTABLISHED A DASH NO. WILL BE ASSIGNED, THEREBY COMPLETING THE PART NO.


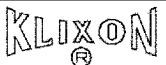


.492
MAX.

.169
MAX.

ϕ .775
MAX

ϕ .579
MAX.

												Q4		P17									
UNLESS OTHERWISE SPECIFIED DIMENSIONS ARE IN INCHES				DRAWN MARK FONTES		DATE 12/09/98		 TEXAS INSTRUMENTS ATTLEBORO, MASSACHUSETTS 02703				 KLIXON CONTROL PRODUCTS DIVISION											
TOLERANCES ON FRACTIONS DECIMALS ANGLES				ENGINEER S.B. MARQUIS		12/09/98		TITLE FIXED TEMPERATURE THERMOSTAT ENVELOPE DRAWING				SIZE B											
MATERIAL				APPROVED D.R. PETRIE		12/09/98										CODE IDENT NO. 82647				7BT2-3G			
				APPROVED G. FIELD		12/09/98																	
SIGNATURES ON FILE. REFER TO ELECTRONIC CHANGE NOTICE.																							