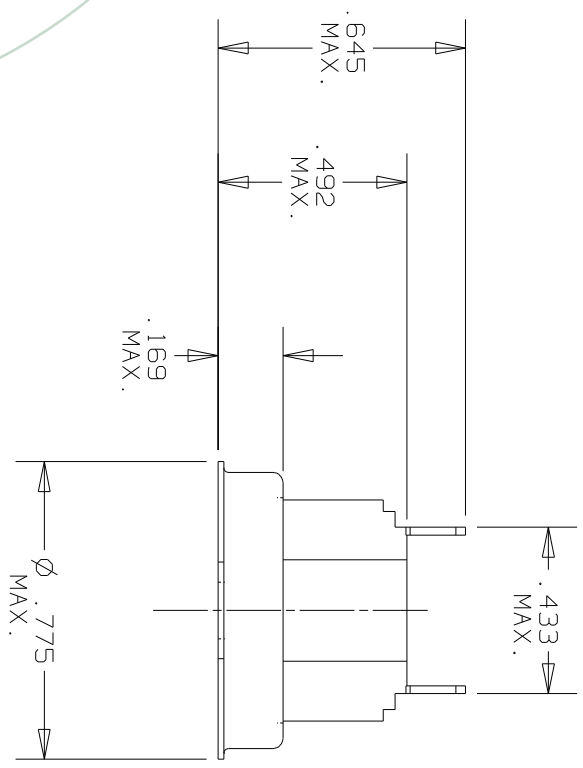
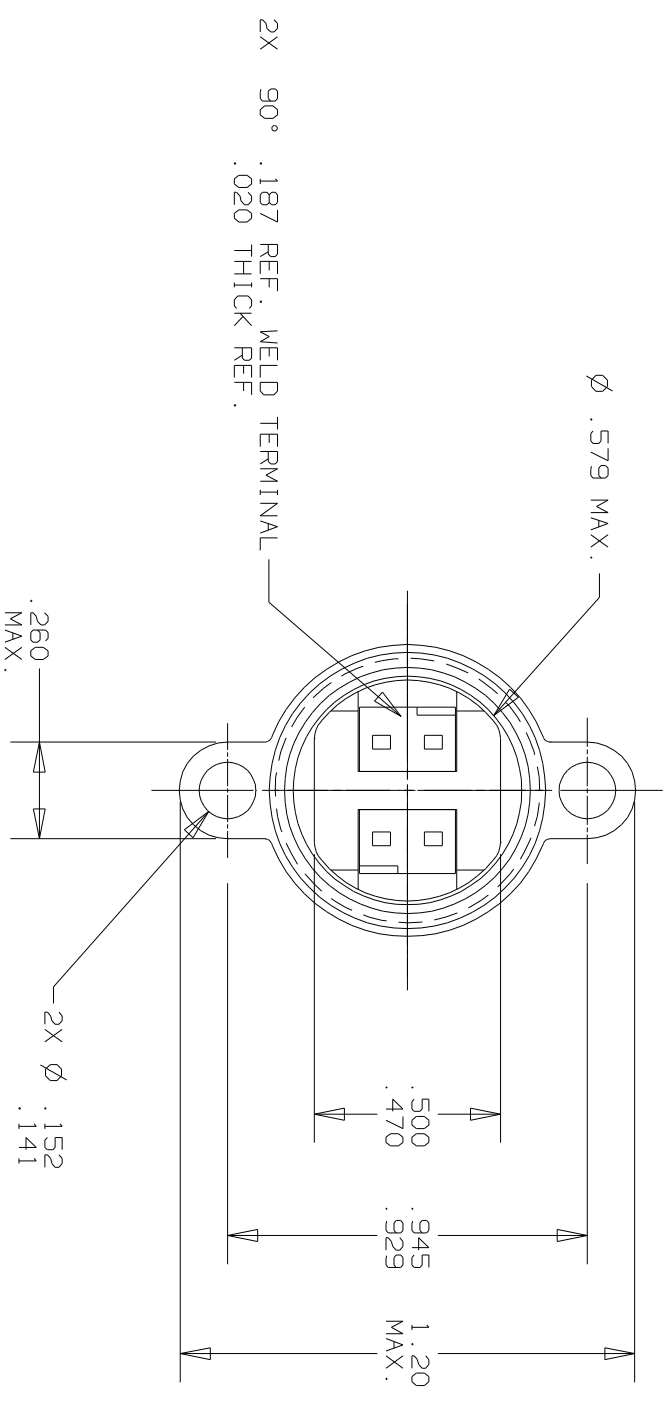


REVISIONS

ZONE	LTR	DEV. #	DESCRIPTION	PROJ. #	DATE	APPROVED
A		1st ISSUE		ECN#M43073 MF	12/09/98	S. B. M.



Property of
Sensata Technologies

PART NO. : 7BT2L3D- *
7BT2F3D- *

"L" DESIGNATES OPEN ON TEMPERATURE RISE.
"F" DESIGNATES CLOSE ON TEMPERATURE RISE.

*WHEN CUSTOMERS TEMPERATURE CHARACTERISTICS ARE ESTABLISHED A DASH NO. WILL BE ASSIGNED, THEREBY COMPLETING THE PART NO.

UNLESS OTHERWISE SPECIFIED DIMENSIONS ARE IN INCHES		DRAWN	MARK FONTES	DATE	12/09/98	TITILE		04	P17	P1
TOLERANCES ON FRACTIONS DECIMALS ANGLES		ENGINEER	S. B. MARQUIS	DATE	12/09/98	FIXED TEMPERATURE THERMOSTAT ENVELOPE DRAWING		Klixon® CONTROL PRODUCTS DIVISION		
MATERIAL		APPROVED	D. R. PETRIE	DATE	12/09/98	SIZE		B		
SIGNATURES ON FILE. REFER TO ELECTRONIC CHANGE NOTICE.		APPROVED	G. FIELD	DATE	12/09/98	CODE IDENT NO.		82647		
						7BT2-3D				



TEXAS INSTRUMENTS
ATTLEBORO, MASSACHUSETTS 02703



Klixon® CONTROL PRODUCTS DIVISION