

5

4

3

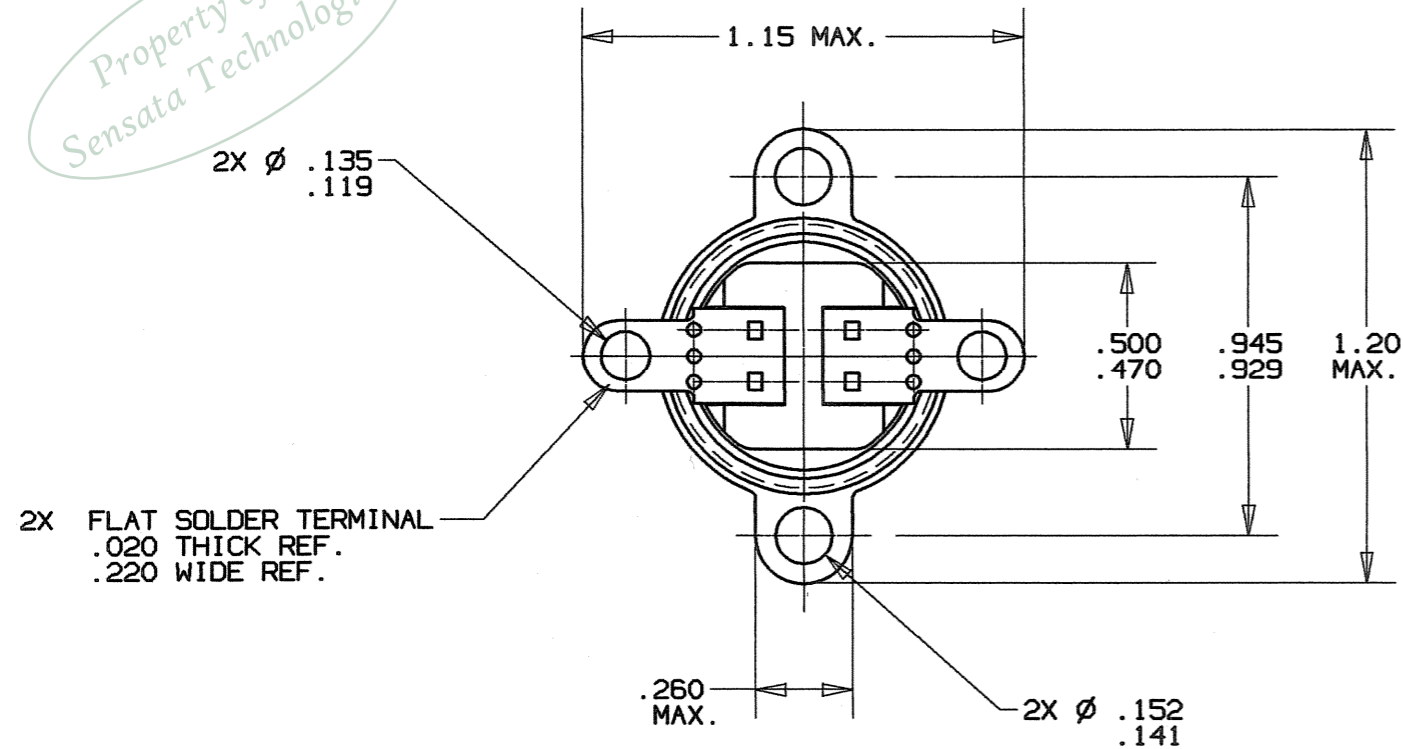
2

1

REVISIONS

ZONE	LTR	DEV. #	DESCRIPTION	PROJ. #	DATE	APPROVED
	A	7BT2	1 ST ISSUE	3190	12/09/98	S.B.M.
				ECN#M43051 MF		

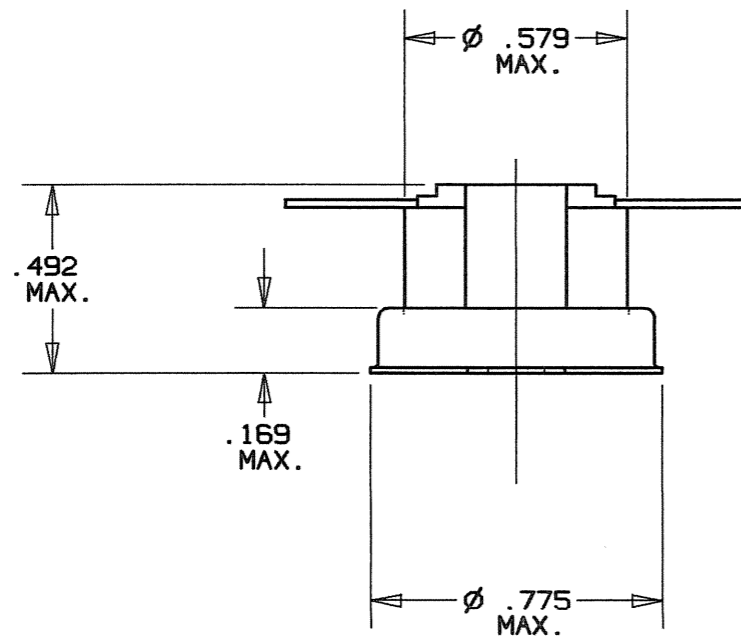
Property of
Sensata Technologies





PART NO.: 7BT2L3A-*
7BT2F3A-*

"L" DESIGNATES OPEN ON TEMPERATURE RISE.
"F" DESIGNATES CLOSE ON TEMPERATURE RISE.

*WHEN CUSTOMERS TEMPERATURE CHARACTERISTICS ARE ESTABLISHED A DASH NO. WILL BE ASSIGNED, THEREBY COMPLETING THE PART NO.



UNLESS OTHERWISE SPECIFIED DIMENSIONS ARE IN INCHES		DRAWN MARK FONTES	DATE 12/09/98	Q4 P17	
TOLERANCES ON FRACTIONS DECIMALS ANGLES		ENGINEER S.B. MARQUIS	12/09/98	 TEXAS INSTRUMENTS ATTLEBORO, MASSACHUSETTS 02703	
MATERIAL		APPROVED D.R. PETRIE	12/09/98	 KLIXON CONTROL PRODUCTS DIVISION	
		APPROVED G. FIELD	12/09/98	TITLE FIXED TEMPERATURE THERMOSTAT ENVELOPE DRAWING	
		SIGNATURES ON FILE. REFER TO ELECTRONIC CHANGE NOTICE.		SIZE B	CODE IDENT NO. 82647
				7BT2-3A	