

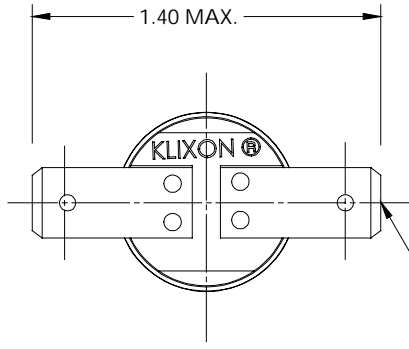
4

3

2

1

REVISIONS				
ZONE	LTR	DESCRIPTION	DATE	APPROVED



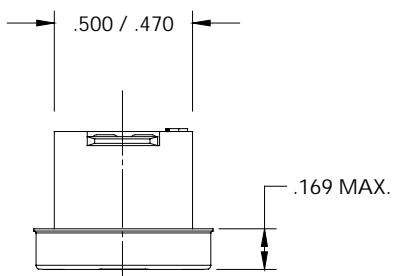
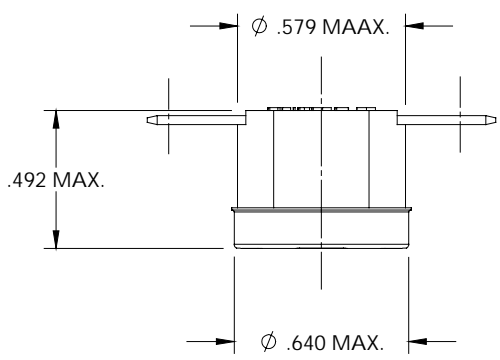
2X FLAT .250 REF. Q.C. TERMINAL
.030 THICK REF.

CHARACTERISTICS

PART NO. 7BT2L2G-*
7BT2F2G-*

"L" DESIGNATES OPEN ON TEMPERATURE RISE
"F" DESIGNATES CLOSE ON TEMPERATURE RISE

* WHEN CUSTOMER'S TEMPERATURE CHARACTERISTICS
ARE ESTABLISHED, A DASH NO. WILL BE ASSIGNED,
THEREBY COMPLETING THE PART NO.



THIS IS A CAD DRAWING. THE GEOMETRY IN THE ASSOCIATED CAD COMPUTER FILE IS DIMENSIONALLY ACCURATE. WHEN DRAWING IS BEING REVISED, THE GEOMETRY MUST BE UPDATED IN ALL VIEWS AND ON ALL SHEETS.

UNLESS OTHERWISE SPECIFIED DIMENSIONS ARE IN INCHES	DRAWN S. MARQUIS	DATE 3/25/02	TEXAS INSTRUMENTS ATILEBORO MA 02705		 CONTROL PRODUCTS DIVISION
TOLERANCES ON FRACTIONS AND ANGLES	ENGINEER		TITLE		
MATERIAL	APPROVED		THERMOSTAT SWITCH ENVELOPE DRAWING		
	APPROVED		SIZE B	CODE IDENT NO. 82647	7BT2-2G STYLE
SIGNATURES ON FILE. REFER TO ELECTRONIC CHANGE NOTICE.			SCALE	SHEET	

NEITHER THIS PRINT NOR THE INFORMATION
CONTAINED THEREON IS TO BE USED AGAINST THE
INTEREST OF TEXAS INSTRUMENTS, INC. OR AGAINST
THE INTERESTS OF ANY OF ITS AFFILIATED COMPANIES
OR WHOLLY OWNED SUBSIDIARIES.

FOR REFERENCE ONLY
CONSULT TEXAS INSTRUMENTS
CUSTOMER SERVICE FOR LATEST
REVISION BEFORE USE

4

3

2

1