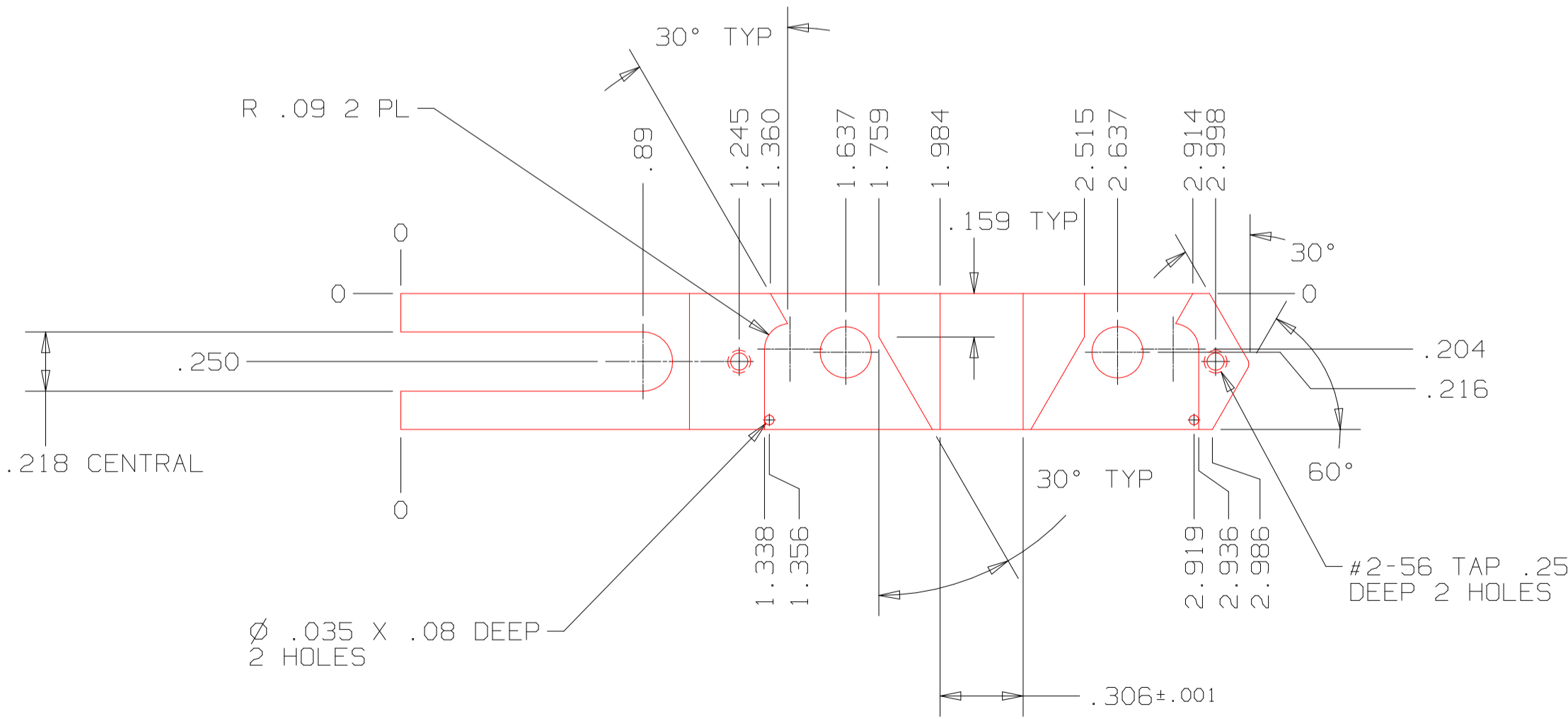
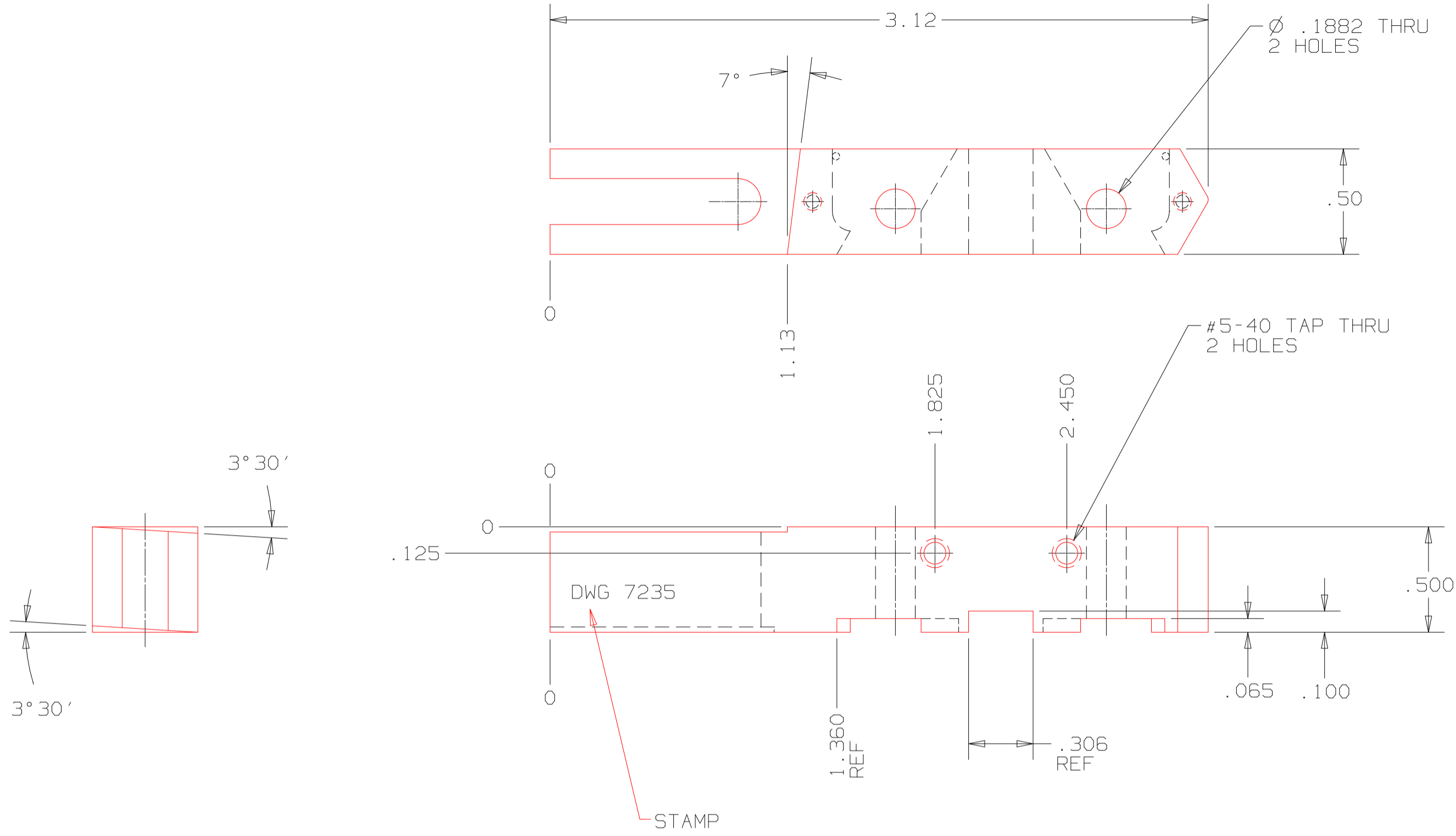



DRAWING NO. C 7235-1			
LTR.	REVISIONS	BY	DATE
-	-	-	-



STOCK SIZE .500X.50X3.12 LG	USED ON 1" MP	NEXT ASSY -
MATERIAL LCFGS	 TEXAS INSTRUMENTS ATTLEBORO, MASSACHUSETTS 02703	
HEAT TREATMENT -	TOLERANCE UNLESS OTHERWISE SPECIFIED XX±.01 XXX±.005 XXXX±.0002 ANGULAR±1° REMOVE ALL SHARP EDGES	NO. REQ'D. 1
FINISH FL CHROME	TITLE TUBE MOUNT	
APPD.	DATE MUJT 12/5/00	DATE CH'KD
SCALE 2X	DRAWING NO. C 7235-1	SHEET -

PLOT REQUESTED BY: