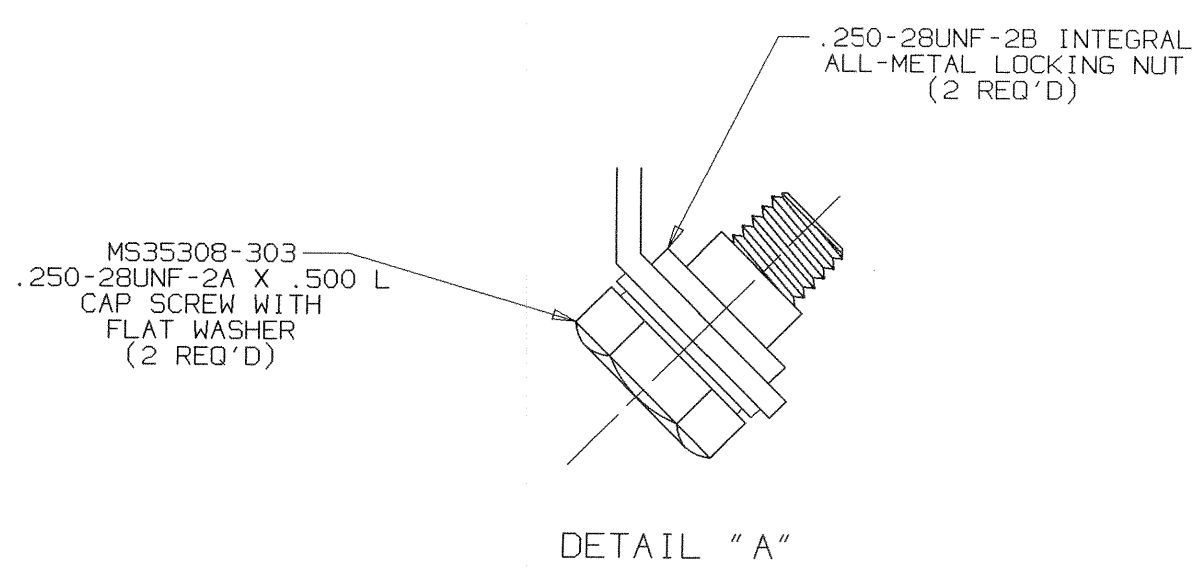
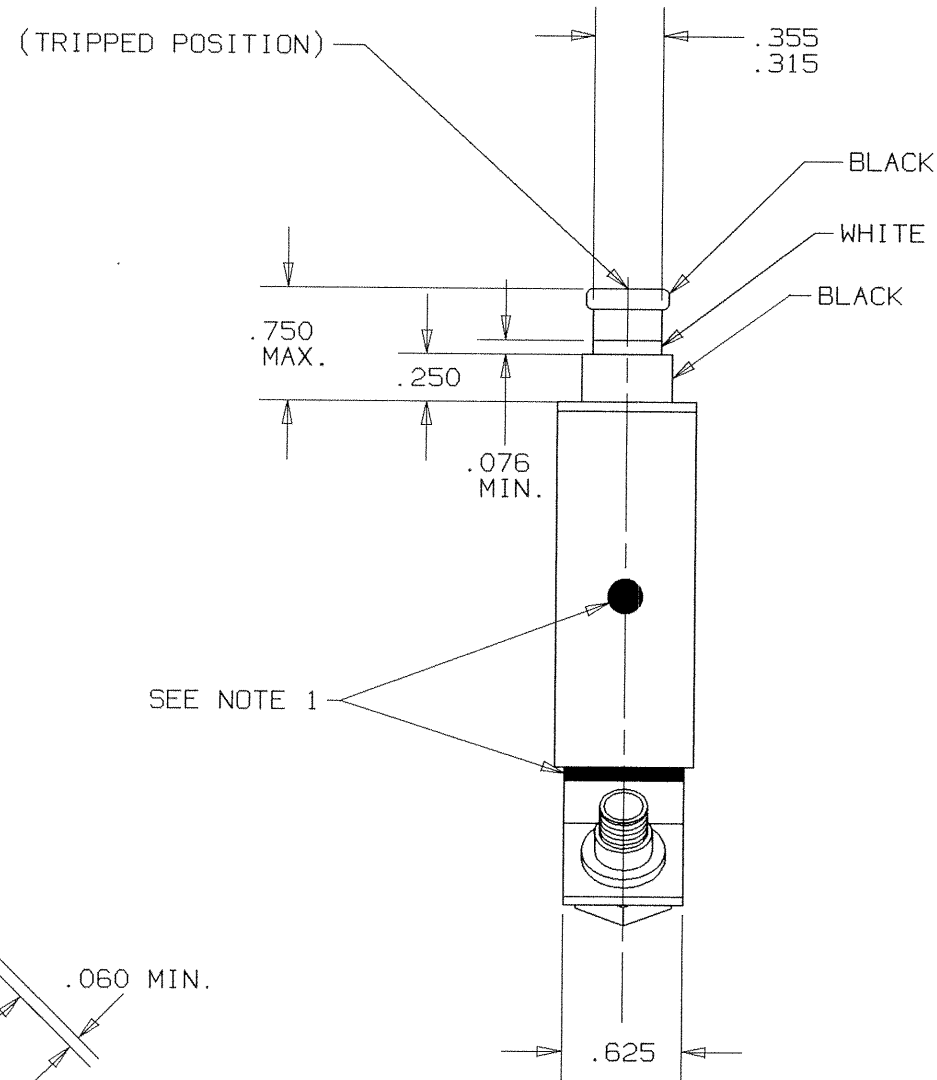
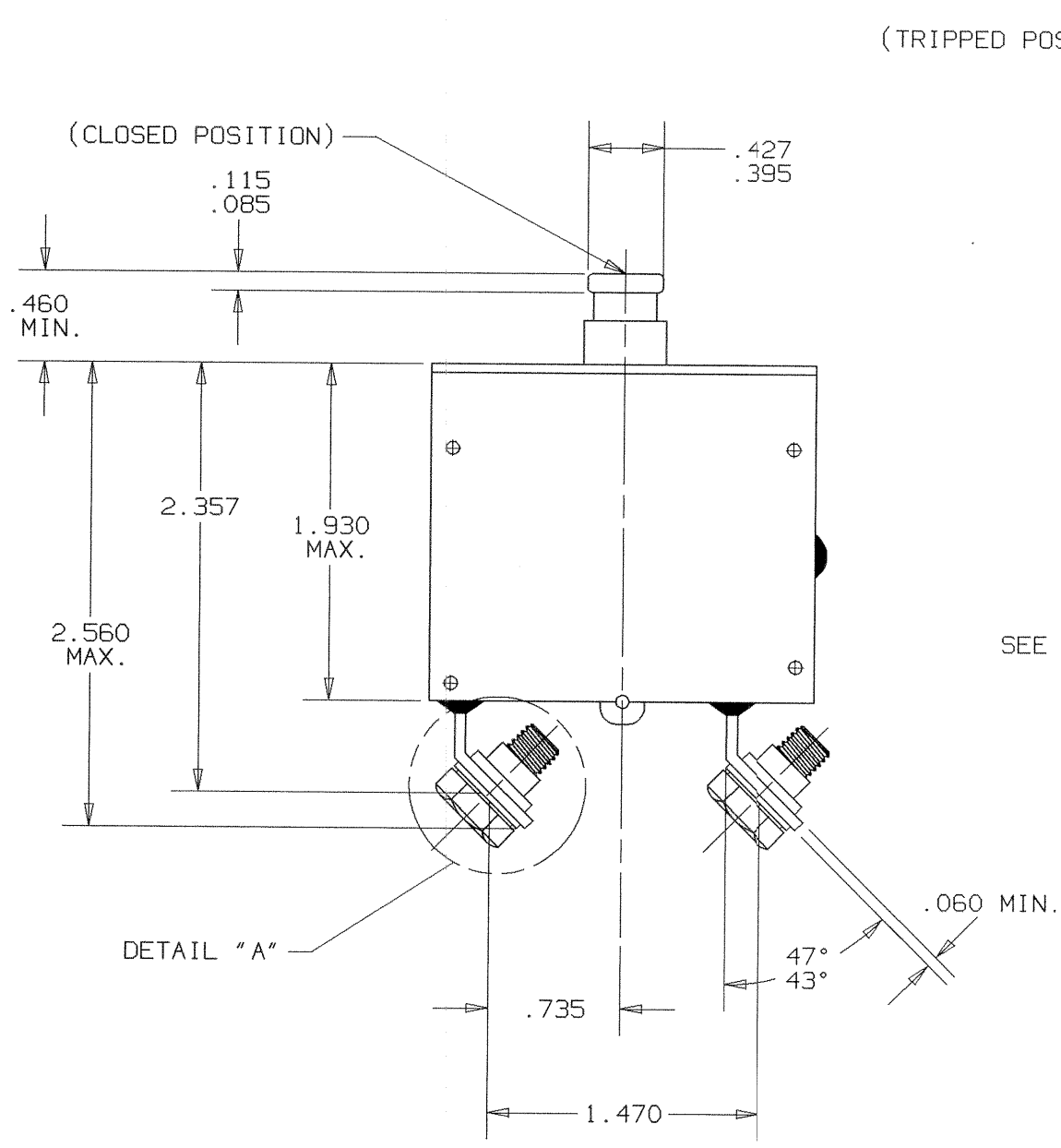
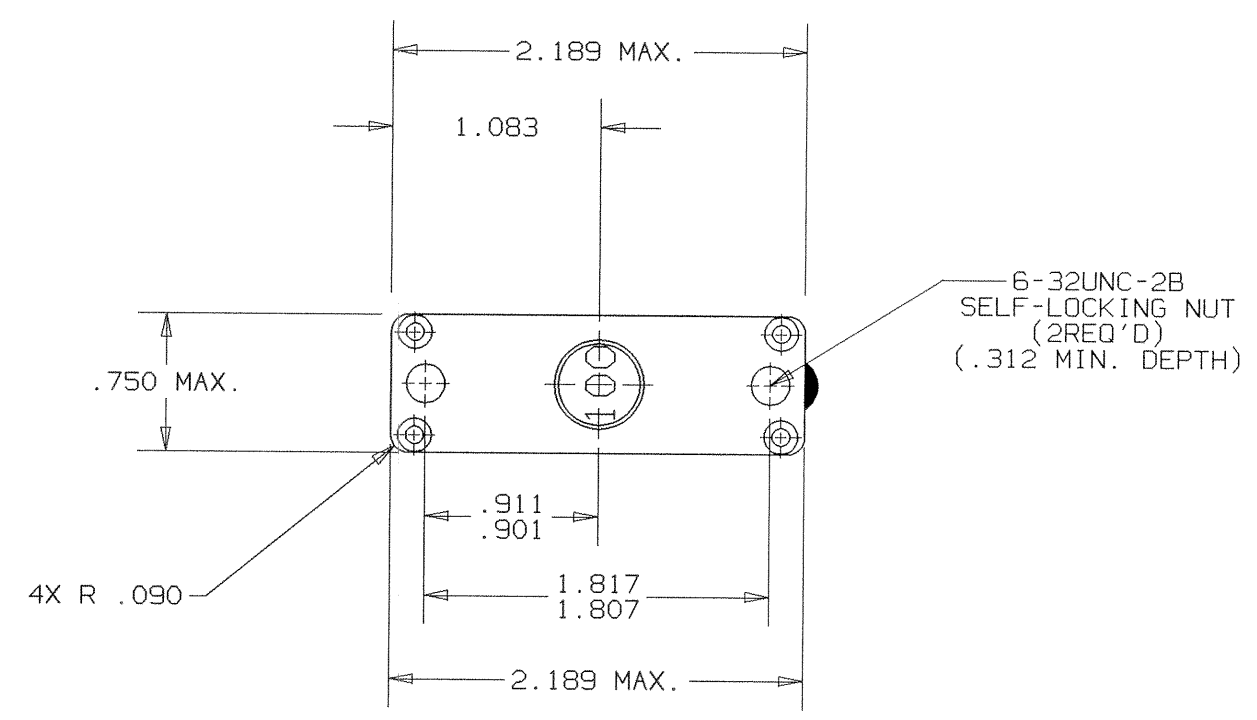


REVISIONS					
ZONE	LTR	DESCRIPTION	PROJ. 755	DATE	APPROVED
	C	1: ADDED MS PART NUMBERS	CRM23637, CFF	6-28-95	K.B.G.



6752-100-100	MS25361-100	100
6752-100-90	MS25361-90	90
6752-100-80	MS25361-80	80
6752-100-75	MS25361-75	75
6752-100-70	MS25361-70	70
6752-100-60	MS25361-60	60
6752-100-50	MS25361-50	50
PART NO.	MS PART NO.	AMP RATING

PERFORMANCE CHARACTERISTICS
TESTED TO AND MEETS REQUIREMENTS OF MIL-C-5809

- CALIBRATION** 50-100 AMPS

AMBIENT TEMPERATURE	MINIMUM ULTIMATE TRIP	MAXIMUM ULTIMATE TRIP	200% TIME	400% TIME	600% TIME
25°C (77°F)	105%	138%	15-65 SEC	2-10 SEC	1-4 SEC
-40°C (-40°F)	125%	165%			
70°C (160°F)	70%	125%			
- INTERRUPTING CAPACITY**
 120 VAC, 400Hz 28 VDC 3500 AMPS 6000 AMPS
- ENDURANCE**

MECHANICAL (NO LOAD)	5000 CYCLES
AC 120 V, 400 Hz: RESISTIVE INDUCTIVE	5000 CYCLES 5000 CYCLES
DC 28 V: RESISTIVE INDUCTIVE	5000 CYCLES 2500 CYCLES
- OVERLOAD CYCLING** 100 CYCLES AT 200% RATED LOAD
- VOLTAGE DROP** 50-100 AMPS: 0.3 V MAX.
- WEIGHT** 0.25 LBS (113.6g) MAX.
- OPERATING FORCES**
 PULLOUT: 12 LBS MAX
 RESET: 16 LBS MAX.
- DIELECTRIC STRENGTH** 1500 VAC rms
- INSULATION RESISTANCE** 100 MEGOHMS AT 500 VDC
- MAX. OPERATING ALTITUDE** 70,000 FEET
- VIBRATION** 10g, 50-500 Hz
- SHOCK** 30g, 11 msec DURATION
- ACCELERATION** 10g
- SAND AND DUST** 12 HOURS
- CORROSION** SALT SPRAY 50 HOURS
- MOISTURE RESISTANCE** 240 HOURS
- EXPLOSION PROOF** WHILE INTERRUPTING RUPTURE CURRENTS

- NOTES:
 1. EPOXY SURFACES ARE NON-DIMENSIONED. ENVELOPE DIMENSIONS DO NOT APPLY TO PROJECTED EPOXY SURFACES.
 2. TERMINAL HARDWARE MUST BE PACKED SEPARATELY BECAUSE OF LOCKING NUTS.

SUPERSEDES DWG. 6752-100 REV. "B", DATED 3-8-95

UNLESS OTHERWISE SPECIFIED DIMENSIONS ARE IN INCHES		DRAWN CHAS. FLEURANT	DATE 12-6-94	 TEXAS INSTRUMENTS ATTLEBORO, MASSACHUSETTS 02703	 KLIXON CONTROL PRODUCTS DIVISION
TOLERANCE ON FRACTIONS DECIMALS ANGLES ---- ±.031 ----		ENGINEER K.B. GASSER	DATE 12-6-94		
MATERIAL		APPROVED D.R. PETRIE	DATE 12-6-94	TITLE 6752-100 TYPE PUSH PULL CIRCUIT BREAKER ENVELOPE DRAWING	
		APPROVED PETE BERG	DATE 12-6-94		
		SIZE C	CODE IDENT NO. 82647	6752-100	
		SIGNATURES ON FILE. REFER TO ELECTRONIC CHANGE NOTICE.		SHEET 1 OF 1	