

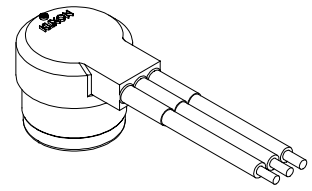
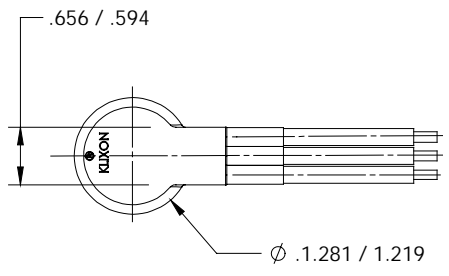
4

3

2

1

REVISIONS				
ZONE	LTR	DESCRIPTION	DATE	APPROVED



- NOTES:
- 1) SWITCH LOGIC: SINGLE POLE DOUBLE THROW
 - 2) OVERMOLD MATERIAL- DOW CORNING #152 REDDISH BROWN SILASTIC RUBBER OR EQUAL.
 - 3) WIRE AWG #18 SILICONE RUBBER INSULATED

D

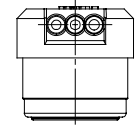
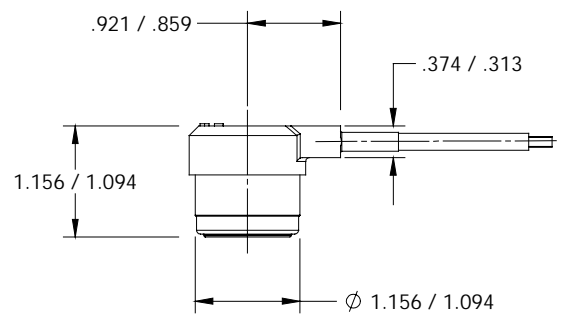
D

C

C

B

B



A

A

NEITHER THIS PRINT NOR THE INFORMATION CONTAINED THEREON IS TO BE USED AGAINST THE INTEREST OF TEXAS INSTRUMENTS, INC. OR AGAINST THE INTERESTS OF ANY OF ITS AFFILIATED COMPANIES OR WHOLLY OWNED SUBSIDIARIES.

FOR REFERENCE ONLY CONSULT TEXAS INSTRUMENTS CUSTOMER SERVICE FOR LATEST REVISION BEFORE USE

THIS IS A CAD DRAWING. THE GEOMETRY IN THE ASSOCIATED CAD COMPUTER FILE IS DIMENSIONALLY ACCURATE. WHEN DRAWING IS BEING REVISED, THE GEOMETRY MUST BE UPDATED IN ALL VIEWS AND ON ALL SHEETS.					
UNLESS OTHERWISE SPECIFIED DIMENSIONS ARE IN INCHES	DRAWN	DATE	TEXAS INSTRUMENTS		KILIXON
TOLERANCES ON FRACTIONS DECIMALS ANGLES	ENGINEER	3/25/02	ATILEBORO MA 02705		CONTROL PRODUCTS DIVISION
MATERIAL	APPROVED		TITLE		
	APPROVED		THERMOSTAT SWITCH ENVELOPE DRAWING		
			SIZE	CODE IDENT NO.	
			B	82647	4391S5 STYLE
SIGNATURES ON FILE. REFER TO ELECTRONIC CHANGE NOTICE.			SCALE		SHEET

4

3

2

1