

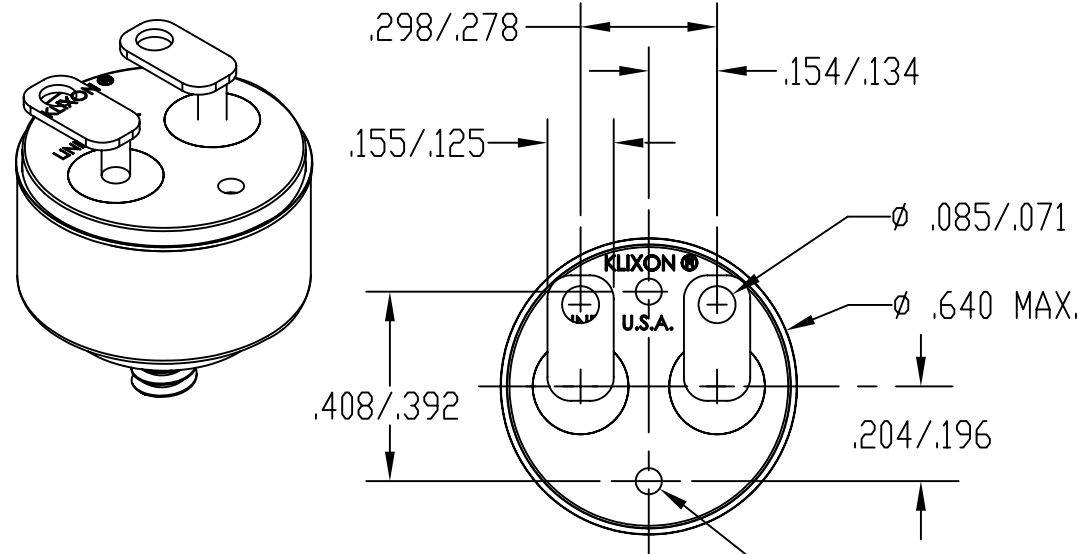
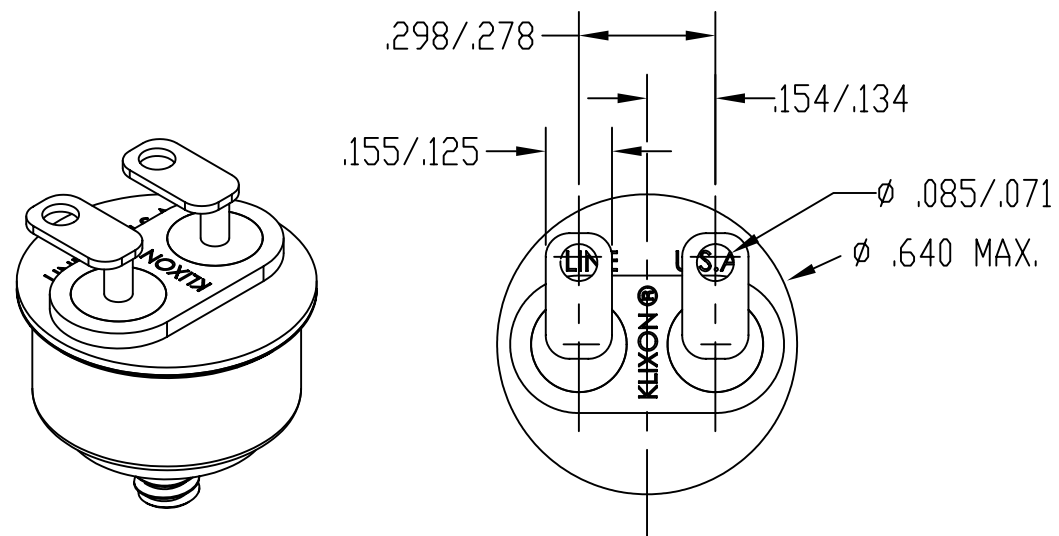
4

3

2

1

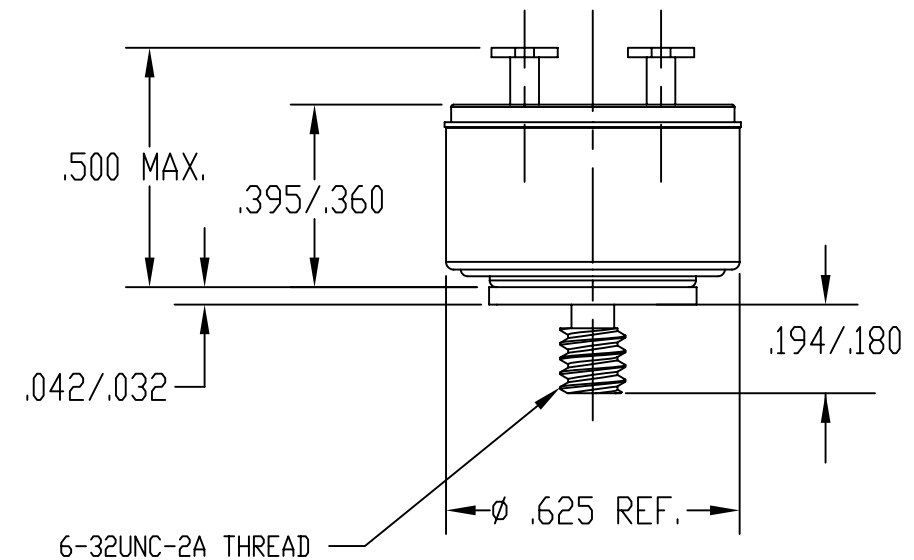
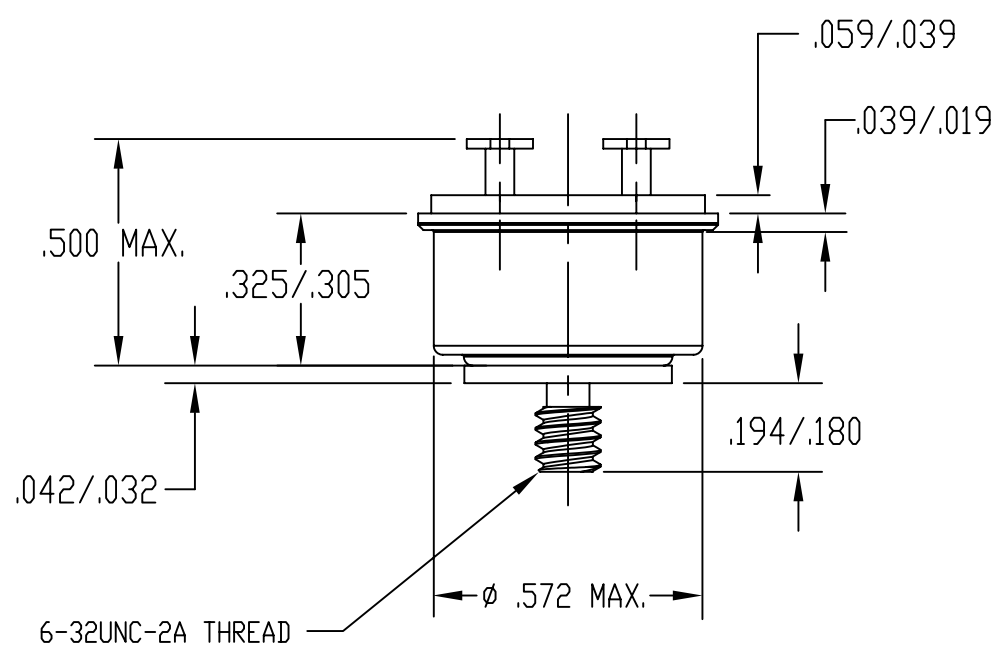
ZONE	REV.	REVISION DESCRIPTION	ECN NO.	DATE
	C	NEW DWG REPLACING REV B PD	ECN0030553	02-AUG-2006



BLIND HOLE  
 $\phi$  .063/.047 X .045/.025 DEEP FLAT BOTTOM (2-PL)


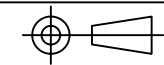
MATERIAL:  
 CONFIGURATION 1: COPPER-NICKEL PLATED CARBON STEEL  
 CONFIGURATION 2: UNPLATED STEEL 304L STAINLESS

DIELECTRIC STRENGTH:  
 TERMINAL TO CASE, 1250VAC, FOR 1 MINUTE



CONFIGURATION 1

CONFIGURATION 2

FOR REFERENCE ONLY, CHECK LATEST REVISION BEFORE USE. PARTS MADE TO THIS PRINT MUST CONFORM TO E9898 REV. E		 529 PLEASANT STREET P.O. BOX 2964 ATTLEBORO, MA 02703
DRAWN SM/PD DATE 02-AUG-2006	NEITHER THIS PRINT NOR THE INFORMATION CONTAINED HEREON IS TO BE USED AGAINST THE INTERESTS OF SENSATA TECHNOLOGIES, INC. OR AGAINST THE INTERESTS OF ANY OF ITS AFFILIATED COMPANIES OR WHOLLY OWNED SUBSIDIARIES	
ENGINEER S.MARQUIS DATE 02-AUG-2006	UNLESS OTHERWISE SPECIFIED DIMENSIONS ARE IN INCHES TOLERANCES DECIMALS      ANGLES	TITLE
APPROVED D.PETRIE DATE 02-AUG-2006		THERMOSTAT SPST AUTO RESET SEALED ENVELOPE DRAWING
APPROVED P.BERG DATE 02-AUG-2006	THIRD ANGLE PROJECTION 	DWG NO.
	DO NOT SCALE DRAWING	<b>4344-135</b>
	SIZE B	REV. C
	SCALE 1:1	AUTOCAD SHEET 1 OF 1

4

3

2

1

DEVICE: PROJECT: