

4

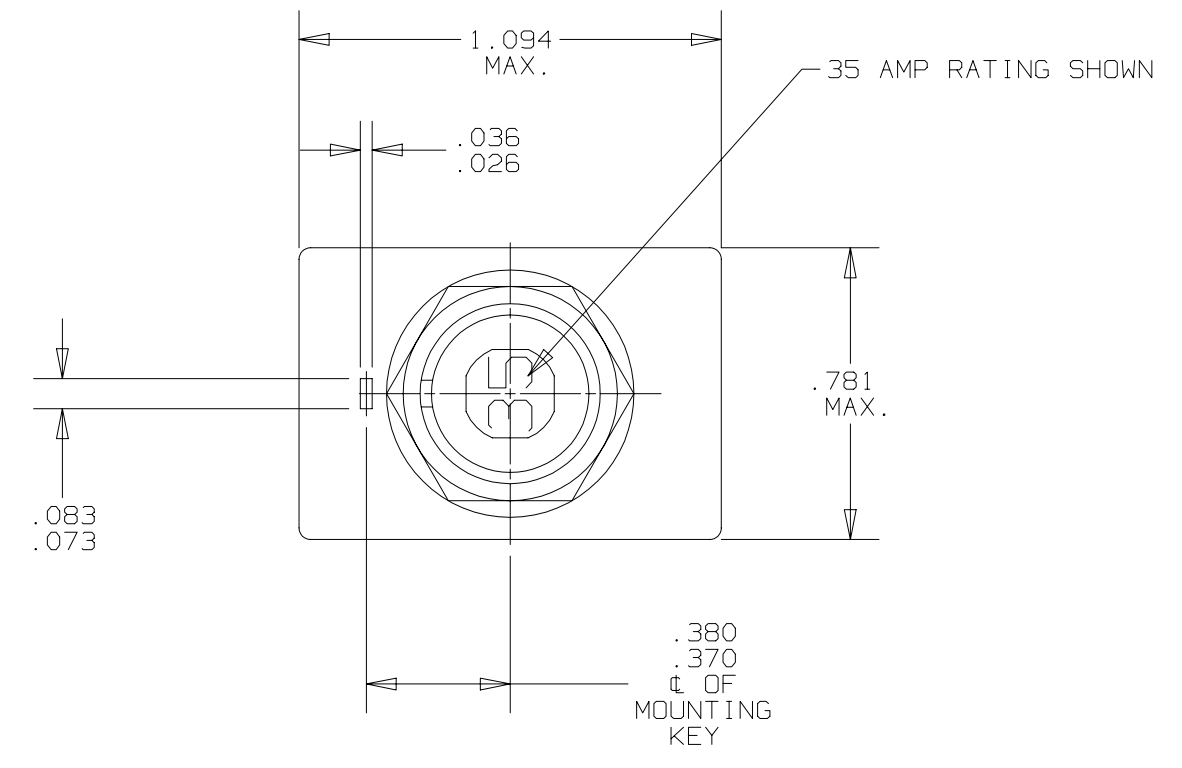
3

2

1

Property of  
Sensata Technologies

REVISIONS					
ZONE	LTR	DESCRIPTION	1294	DATE	APPROVED
	B	UPDATED PER MARKUP AND REDRAWN IN CAD. ECN0025542 PAF		1-5-06	DM



**PERFORMANCE CHARACTERISTICS**

OVERLOAD CYCLING	-----	100 CYCLES AT 200% RATING
VIBRATION	-----	10 G'S MINIMUM 50 - 500 HZ
MECHANICAL SHOCK	-----	25 G'S
ACCELERATION	-----	10 G'S
SAND & DUST	-----	12 HOURS
CORROSION	-----	SALT SPRAY 50 HOURS
HUMIDITY	-----	10 DAYS
EXPLOSION PROOF	-----	WHILE INTERRUPTING RUPTURE CURRENTS

**ENDURANCE:**

120 VAC	400 CPS INDUCTIVE	2,500 CYCLES
28 VDC	400 CPS RESISTIVE	5,000 CYCLES
MECHANICAL	RESISTIVE	5,000 CYCLES
	NO LOAD	10,000 CYCLES

**CALIBRATION:** 25 AMP THRU 35 AMP

	MIN. ULT. TRIP	MAX. ULT. TRIP	200%	500%	1000%
+25°C. (+77°F.)	115% RATING	138% RATING	4 - 20 SEC.	.4 - 1.7 SEC.	.1 - .4 SEC.
-54°C. (-65°F.)	115% RATING	165% RATING	6 - 35 SEC.	.55 - 3.0 SEC.	.15 - .7 SEC.
+121°C. (+250°F.)	85% RATING	138% RATING	2.0 - 15 SEC.	.25 - 1.0 SEC.	.06 - .25 SEC.

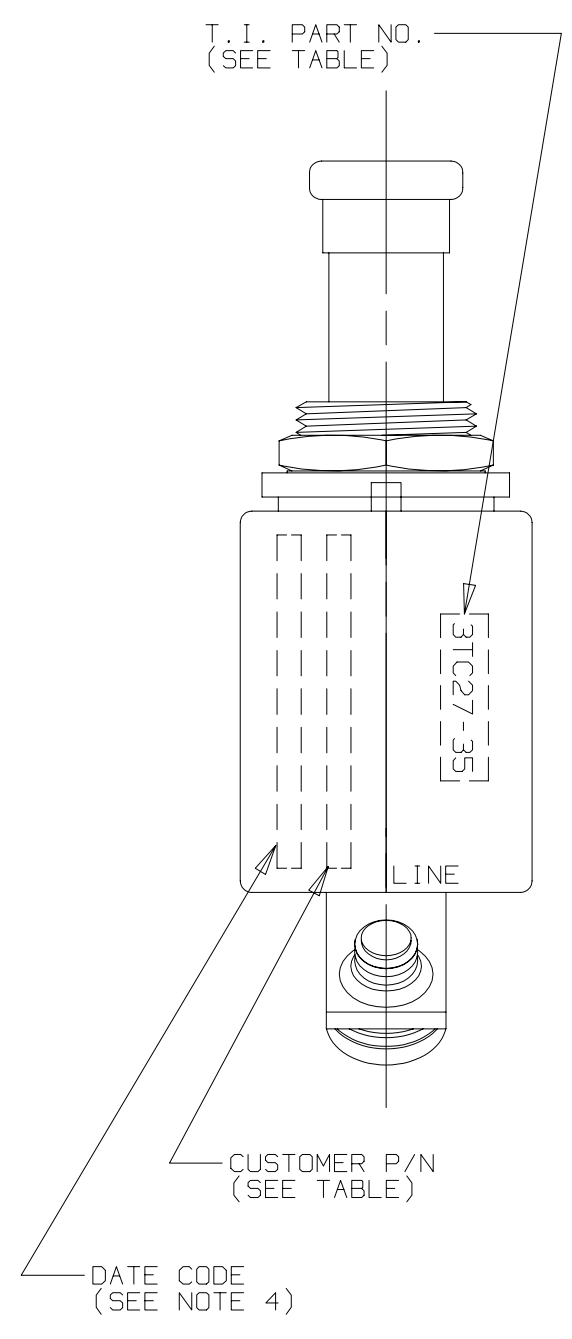
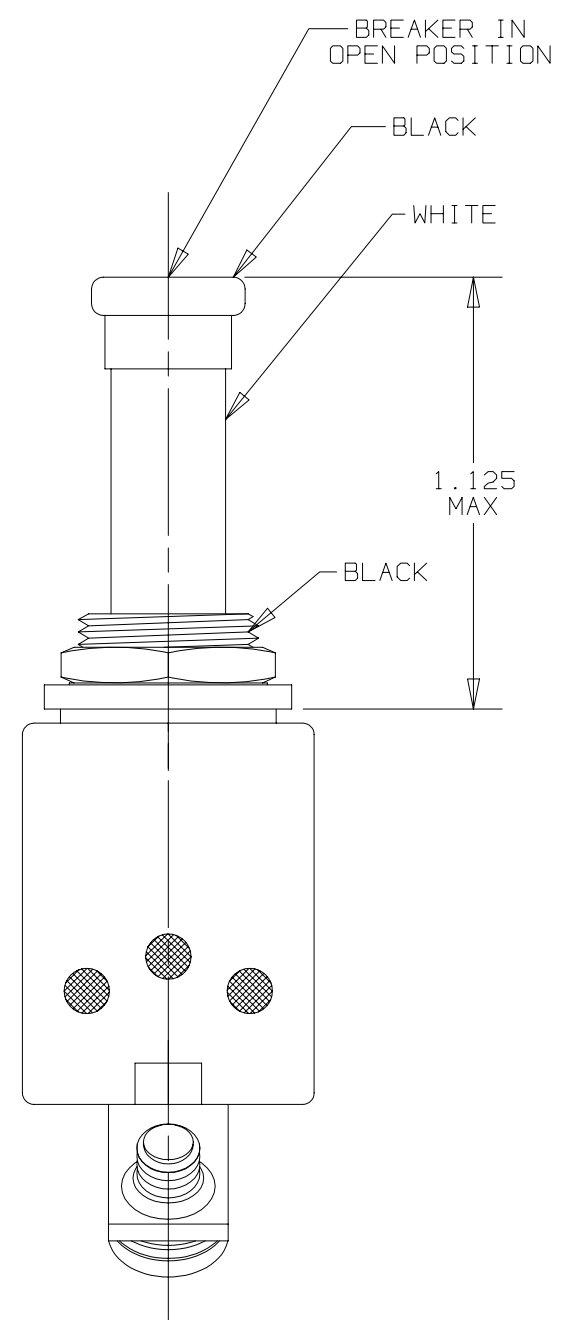
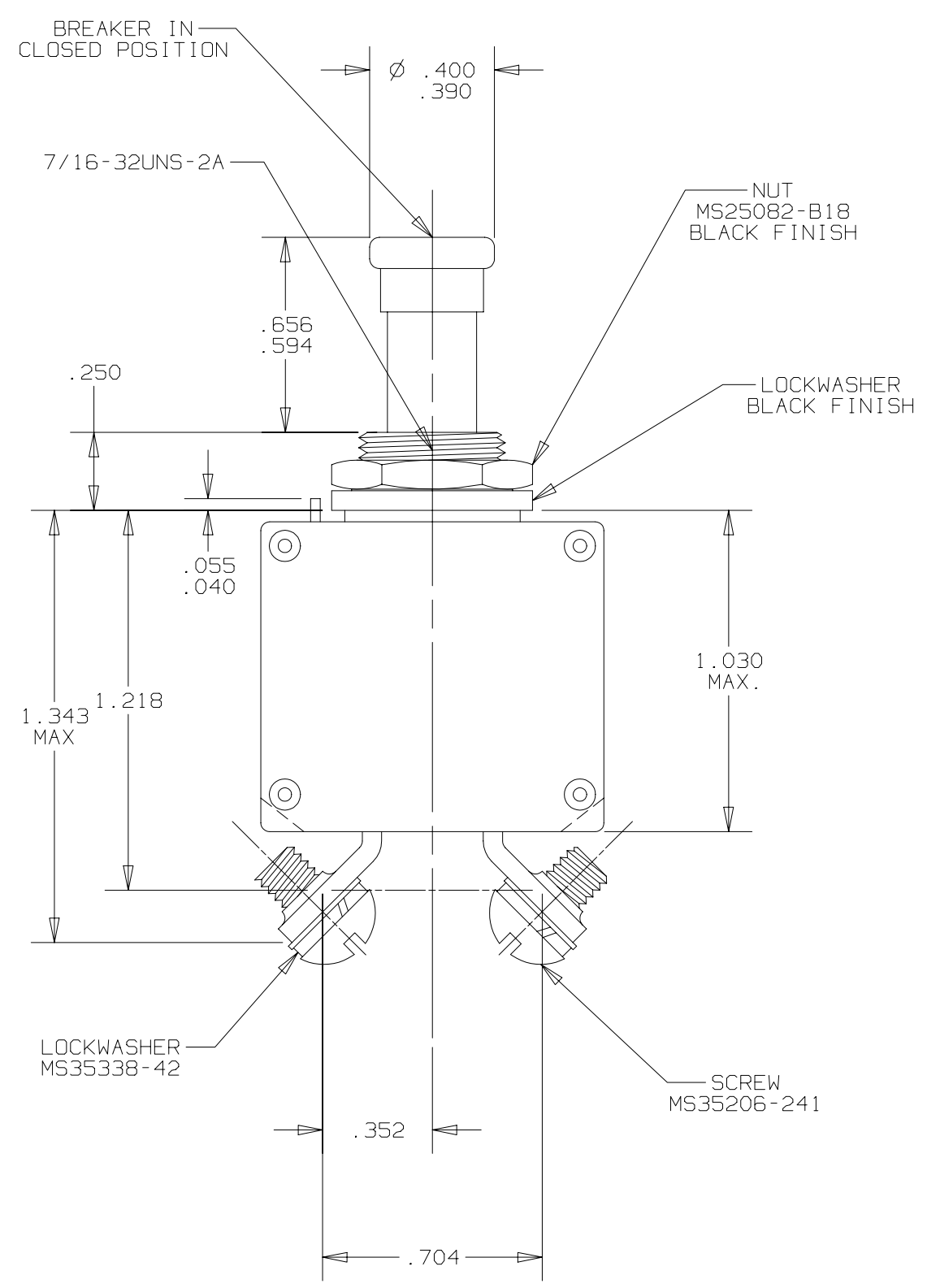
**RUPTURE:**  
25 AMP THRU 35 AMP      120 VAC 400 CPS      2000 AMPERES

**MAXIMUM OPERATING FORCES:**  
PULL OUT ----- 5 LBS MAX. (22.2N)  
RESET ----- 5 LBS MAX. (22.2N)

**OPERATING ALTITUDE:** 70,000 FT. (21,000m)  
**WEIGHT/MASS:** 37.19 GRAMS MAX. (.082 LBS.)

**VOLTAGE DROP:**  
25, 30, AND 35 AMP ----- 0.25 VOLTS MAX.

T. I. PART NO.	CUSTOMER PART NO.	AMP RATING
3TC27-15	-	15
3TC27-20	-	20
3TC27-25	MS14105-25L	25
3TC27-30	MS14105-30L	30
3TC27-35	MS14105-35L	35



- NOTES:**
- EPOXY SURFACES ARE NON-DIMENSIONED. ENVELOPE DRAWING DIMENSIONS DO NOT APPLY TO THESE PROJECTED EPOXY SURFACES.
  - TERMINAL AND MOUNTING HARDWARE MAY BE PACKAGED RATHER THAN INSTALLED.
  - COUNTRY OF ORIGIN TO BE IDENTIFIED AS REQUIRED.
  - DATE CODE PER 10588-285.
  - ALL MARKINGS TO BE MADE IN APPROXIMATE POSITIONS SHOWN, WITH BLACK INK PER 12506-70: 3/32 INCH HIGH CHARACTERS.

UNLESS OTHERWISE SPECIFIED DIMENSIONS ARE IN INCHES	DRAWN H.H. ENGINEER	DATE 8-27-75	TEXAS INSTRUMENTS ATTLEBORO, MASSACHUSETTS 02703	Klixon CONTROL PRODUCTS DIVISION
TOLERANCE ON FRACTIONS DECIMALS ANGLES ±.031	APPROVED D.L. EISNOR APPROVED D.L. EISNOR	8-27-75		
MATERIAL	SIGNATURES ON FILE. REFER TO ELECTRONIC CHANGE NOTICE.		SIZE C	CODE IDENT NO. 82647
			3TC27	