



KLIXON | PRESSURE SWITCHES

36PS Series, Automatic Reset

LEADING THE WORLD IN SWITCH DESIGN

Sensata's 36PS pressure switch offers a number of design features that ensure accurate, reliable performance in low pressure, dry circuit applications. The all-metal construction of this hermetically sealed "free disc" switch allow the product to remain extremely stable over life. Compatible with most fluids, this product is rated up to 1M cycles.

Sensata Technologies has been a leading global supplier of pressure sensors and switches for over 50 years.

Features & Benefits

- Hermetically Sealed Sensor
- Snap Acting/Automatic Reset
- Wide Temperature Range
- Environmentally Sealed and Vented
- Factory Calibrated Set Points
- Compact and Lightweight for Direct Mounting
- Excellent Set Point Repeatability & Temperature Stability
- Narrow Tolerance and Hysteresis
- High Vibration Capability

Applications

- Construction Equipment
- Agricultural Equipment
- Compressors and Pumps
- Hydraulics and Pneumatics
- Engine Controls
- Process Control
- Automation Systems
- Industrial Systems
- Marine Engine/Equipment

Technical Specifications

Operating Pressure

500 psig (34 bar)

Proof Pressure*

600 psig (41 bar)

Burst Pressure

5000 psig (345 bar)

Life at Rated Current

1,000,000 cycles 0-300 psig/milliamp load
100,000 cycles 0-500 psig full amperage

Electrical Ratings

5 mA @ 9 Vdc to 2A @ 28 Vdc
5.8 FLA/34.8 LRA @ 120 Vac
2.9 FLA/15.0 LRA @ 240/277 Vac

Dielectric Strength

750 Vrms Open Contacts
1500 Vrms Terminals to Fittings (ground)

Lead Wire Material

#16 & #18 AWG 600 V 105°C 1/32" PVC
Quick Connects .250" x 0.032" straight male spa
Others upon request; call Sensata

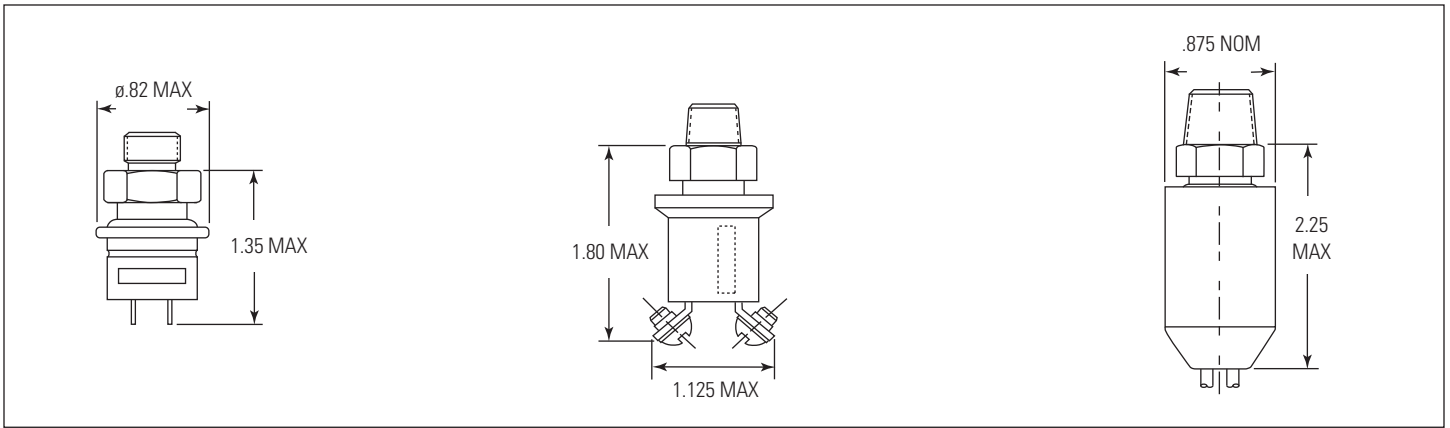
Ambient Temperature

-40°F to 257°F (-40°C to 125°C)
(4% setpoint shift @ 100°C)

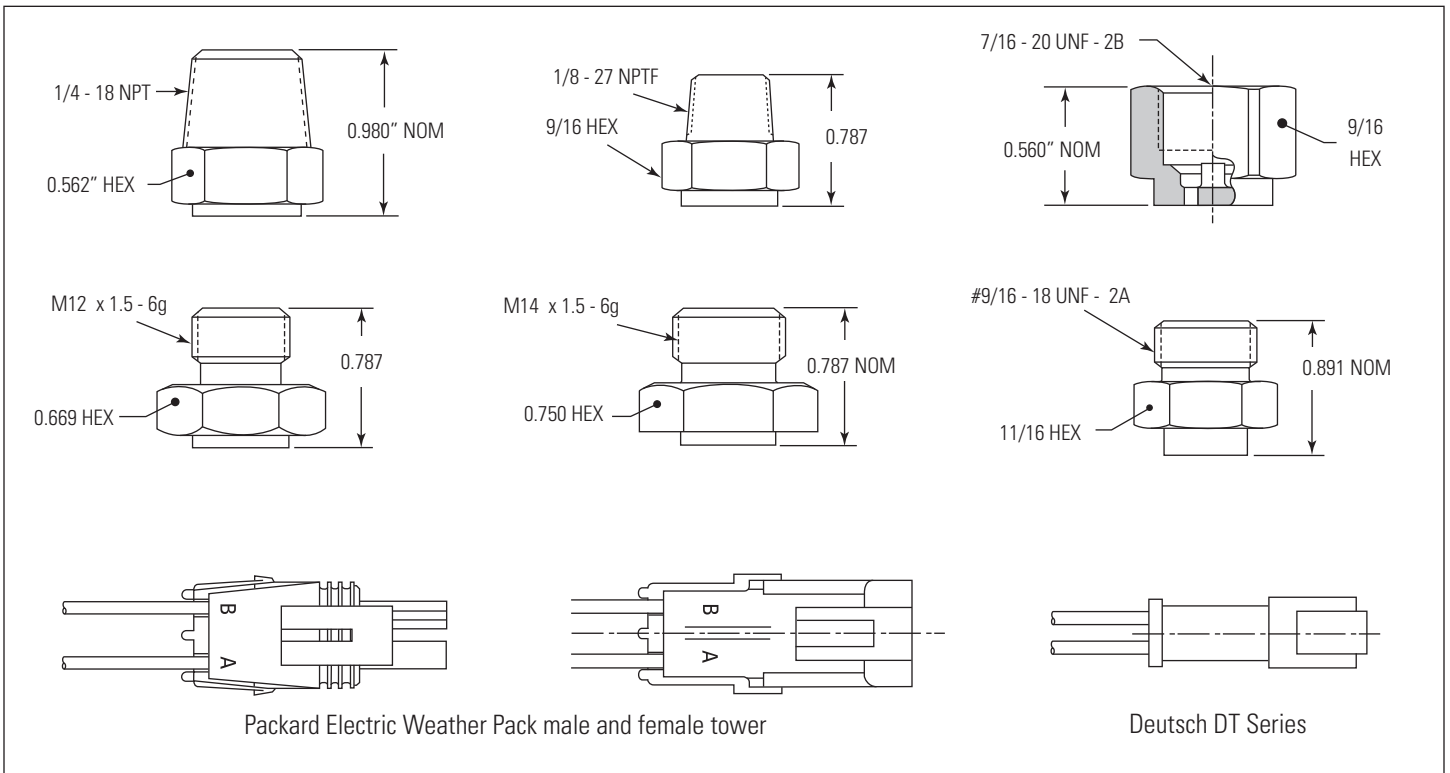
Fluid Temperature

-65°F to 275°F (-53.9°C to 135°C)

Typical Physical Characteristics (Additional configurations are available. Contact Sensata: sensors@sensata.com)



Typical Standard Fittings (Additional fittings are available. Contact Sensata: sensors@sensata.com)



Common Port Fittings

1/8" - 27 NPTF male
 1/4" - 18 NPTF male
 1/4" SAE male flare
 1/4" SAE female flare

3/8" - 24 UNF male o-ring
 9/16" - 18 UNF male o-ring
 M 10 x 1 male o-ring
 1/4" O.D. copper or stainless steel braze tube



The World Depends on Sensors and Controls

Sensata Technologies

529 Pleasant Street, MS B19
 Attleboro, MA 02703-2964
 Phone 1-888-438-2214
 Fax: 508-236-2349
 email: sensors@sensata.com
 www.sensata.com

Important Notice: Sensata Technologies (Sensata) reserves the right to make changes to or discontinue any product or service identified in this publication without notice. Sensata advises its customers to obtain the latest version of the relevant information to verify, before placing any orders, that the information being relied upon is current. Sensata assumes no responsibility for infringement of patents or rights of others based on Sensata applications assistance or product specifications since Sensata does not possess full access concerning the use or application of customers' products. Sensata also assumes no responsibility for customers' product designs.