

4

3

2

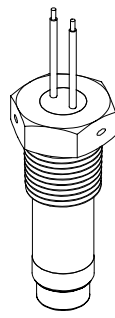
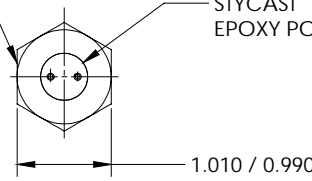
1

REVISIONS

ZONE	LTR	DESCRIPTION	DATE	APPROVED

CODE KLIXON®
MADE IN USA
AND TI PART NO.

STYCAST
EPOXY POTTING



- CHARACTERISTICS
- BASIC THERMOSTAT: 11041 STYLE
 - DIELECTRIC STRENGTH: 1250 VAC FOR 1 MINUTE TERMINALS TO CASE
 - MATERIAL: #300 STAINLESS STEEL

NOTES:

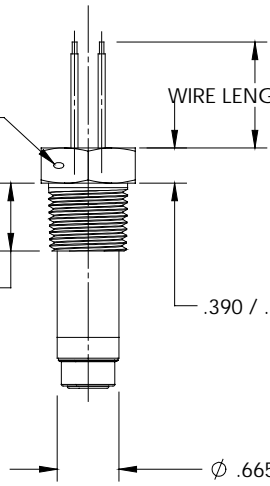
- ORIENTATION OF WIRE LEADS TO DEVICE CENTERLINE IS NOT CONTROLLED.

Ø .072 / .052
HOLE (2-PL)

WIRE LENGTH TBD

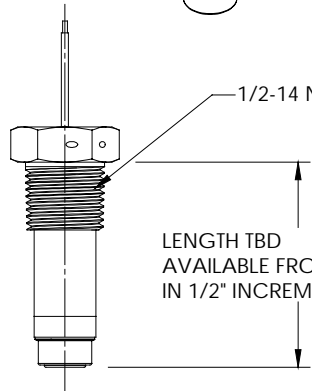
.772 / .648

.390 / .360



1/2-14 NPT THREAD

LENGTH TBD
AVAILABLE FROM 1.5" TO 6"
IN 1/2" INCREMENTS



Ø .665 MAX.

THIS IS A CAD DRAWING. THE GEOMETRY IN THE ASSOCIATED CAD COMPUTER FILE IS DIMENSIONALLY ACCURATE. WHEN DRAWING IS BEING REVISED, THE GEOMETRY MUST BE UPDATED IN ALL VIEWS AND ON ALL SHEETS.

UNLESS OTHERWISE SPECIFIED DIMENSIONS ARE IN INCHES	DRAWN S. MARQUIS	DATE 3/25/02	TEXAS INSTRUMENTS ATILEBORO MA 02705		KLIXON CONTROL PRODUCTS DIVISION
TOLERANCES ON FRACTIONS DECIMALS ANGLES	ENGINEER		TITLE THERMOSTAT SWITCH ENVELOPE DRAWING		
MATERIAL	APPROVED		SIZE B	CODE IDENT NO. 82647	21543 STYLE
	APPROVED		SCALE		SHEET
SIGNATURES ON FILE. REFER TO ELECTRONIC CHANGE NOTICE.					

NEITHER THIS PRINT NOR THE INFORMATION
CONTAINED THEREON IS TO BE USED AGAINST THE
INTEREST OF TEXAS INSTRUMENTS, INC. OR AGAINST
THE INTERESTS OF ANY OF ITS AFFILIATED COMPANIES
OR WHOLLY OWNED SUBSIDIARIES.

FOR REFERENCE ONLY
CONSULT TEXAS INSTRUMENTS
CUSTOMER SERVICE FOR LATEST
REVISION BEFORE USE

4

3

2

1