

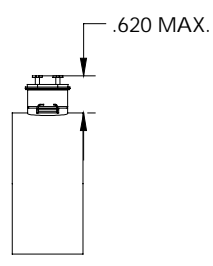
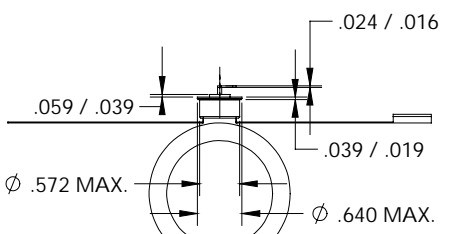
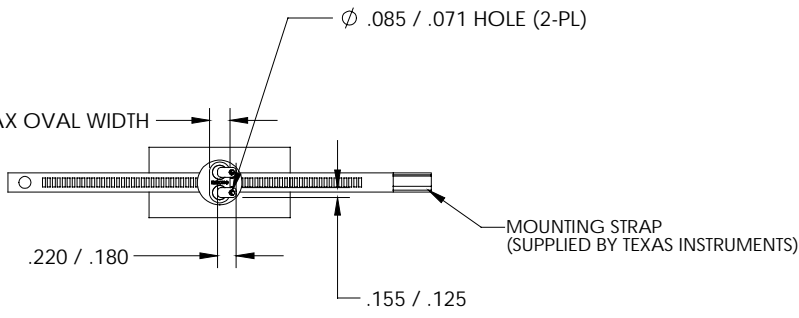
4

3

2

1

REVISIONS				
ZONE	LTR	DESCRIPTION	DATE	APPROVED



PART NO. 11041-500 - *

* WHEN CUSTOMER'S TEMPERATURE CHARACTERISTICS ARE ESTABLISHED, A DASH NO. WILL BE ASSIGNED, THEREBY COMPLETING THE PART NO.

NOTES:

- 1) PIPE ADAPTER WILL CONFORM TO PIPE DIAMETERS RANGING FROM 0.75 - INCHES TO 6 - INCHES.
- 2) ORIENTATION OF PIPE ADAPTER TO CUP UNDERSIDE IS NOT CONTROLLED.
- 3) DEVICE IS TO BE ATTACHED BY CUSTOMER TO PIPE SURFACE VIA TEXAS INSTRUMENTS SUPPLIED STRAP INSERTED THRU SLOT IN ADAPTER BELOW SWITCH.

UNLESS OTHERWISE SPECIFIED DIMENSIONS ARE IN INCHES					DRAWN: S. MARQUIS		DATE: 3/25/02		TEXAS INSTRUMENTS ATILEBORO MA 02705				
TOLERANCES ON FRACTIONS DECIMALS ANGLES					ENGINEER:		APPROVED:		TITLE: THERMOSTAT SWITCH ENVELOPE DRAWING				
MATERIAL:					APPROVED:		APPROVED:		SIZE: B		CODE IDENT NO.: 82647		
NEITHER THIS PRINT NOR THE INFORMATION CONTAINED THEREON IS TO BE USED AGAINST THE INTEREST OF TEXAS INSTRUMENTS, INC. OR AGAINST THE INTERESTS OF ANY OF ITS AFFILIATED COMPANIES OR WHOLLY OWNED SUBSIDIARIES.					FOR REFERENCE ONLY CONSULT TEXAS INSTRUMENTS CUSTOMER SERVICE FOR LATEST REVISION BEFORE USE					SIGNATURES ON FILE. REFER TO ELECTRONIC CHANGE NOTICE.		SCALE: SHEET	
4					3					2		1	

D

C

B

A

D

C

B

A